

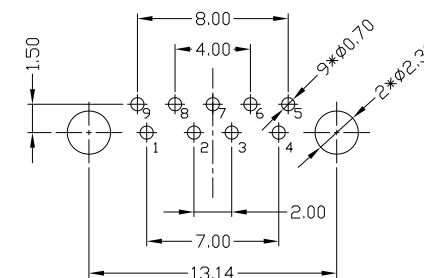
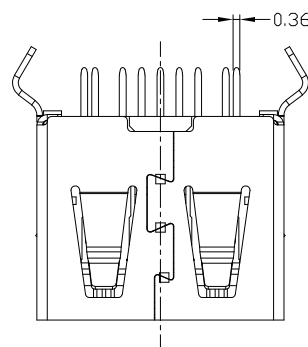
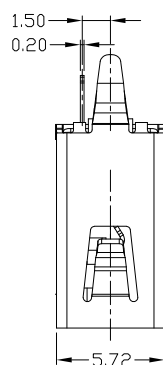
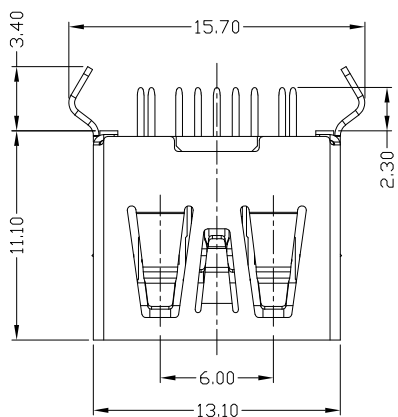
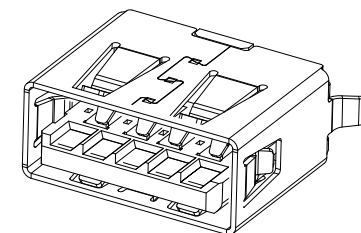
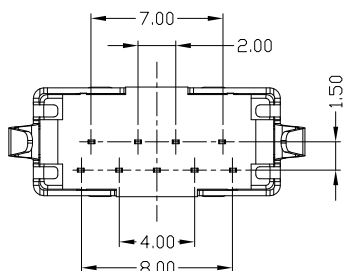


RoHS  
Compliant  
2002/95/EC

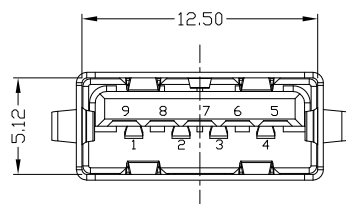
Halogen Free

| REV. | ECN. | NO. | APPD. |
|------|------|-----|-------|
|      |      |     |       |
|      |      |     |       |

| PIN NUMBER | SIGNAL NAME |
|------------|-------------|
| 1          | VBUS        |
| 2          | D-          |
| 3          | D+          |
| 4          | GND         |
| 5          | STDA_SSRX-  |
| 6          | STDA_SSRX+  |
| 7          | GND_DRAIN   |
| 8          | STDA_SSTX-  |
| 9          | STDA_SSTX+  |
| Shell      | Shield      |



RECOMMENDED PCB LAYOUT



NOTES:

1. ELECTRICAL:

- 1) CURRENT RATING: 1.5 AMP;
- 2) INSULATION RESISTANCE: 100MΩ MIN;
- 3) CONTACT RESISTANCE: 30mΩ MAX;
- 4) WITHSTANDING VOLTAGE: 100V AC;
- 5) OPERATING TEMPERATURE: -20°C ~ +60°C.

2. Mechanical:

- 1) Mating Force: 35N MAX
- 2) Unmating Force: 10N MIN.

3. DIMENSIONS MARKED "▼" TO BE CHECKED BY Q.C & IPQC.

4. PART NO.

USAF-09\*N-3BLPC13

1Au 1U'  
5Au 15U'  
6Au 30U'

W:WHITE  
B:BLACK  
BL:BLUE

1PBT  
2PA6T  
3PA9T  
4LCP

Bill of materials:

| NO | PARTS    | MATERIAL     | QTY | FINISHING       | X. ±0.35  | X.' ±2' | UNITS    | 雅安科技有限公司<br>ACCURATE INNOTECH INC. |                      |                                   |   |  |
|----|----------|--------------|-----|-----------------|---|---------|----------|------------------------------------|----------------------|-----------------------------------|---|--|
|    |          |              |     |                 | .X ±0.3   | .X' ±1' | mm       | TITLE:                             | PART NO.:            |                                   |   |  |
| 3  | SHELL    | COPPER ALLOY | 1   | PLATED NICKEL   | .XX ±0.25   | .XX'    | MAT'L    | USB 3.0 AF 180度DIP H=11.1 无卷边      | USAF-09*N-3BLPC13    |                                   |   |  |
| 2  | TERMINAL | COPPER ALLOY | 9   | PLATED GOLD/TIN | .XXX ±0.15  | .XXX'   | SEE NOTE | DR: gan 2016/12/31                 | DWG NO.: AII-PC13    |                                   |   |  |
| 1  | HOUSING  | PA9T/LCP/PBT | 1   | UL94V-0         | THESE DRAWINGS AND SPECIFICATIONS ARE THE PROPERTY OF ACCURATE INNOTECH INC AND SHALL NOT BE REPRODUCED, COPIED OR USED IN ANY MANNER WITHOUT THE PRIOR WRITTEN CONSENT OF ACCURATE INNOTECH INC. |         |          | FINISH                             | CHKD: gan 2016/12/31 | SCALE SHEET REV. CUSTOMER DRAWING |   |  |
|    |          |              |     |                 |   |         | Q'TY     | APPD:                              | 1:1                  | 1/1                               | B |  |