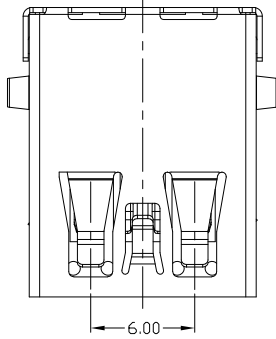




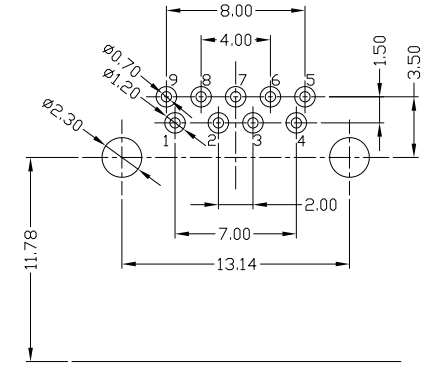
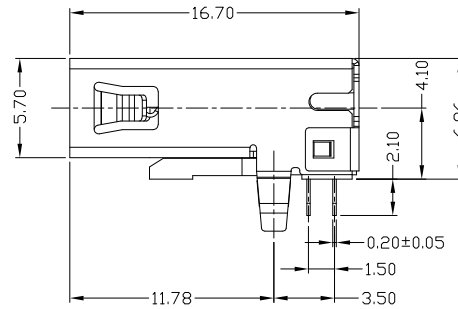
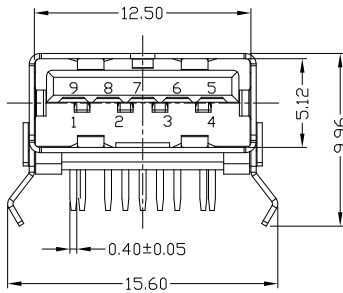
RoHS
Compliant
2002/95/EC

Halogen Free

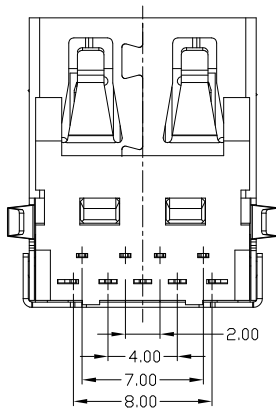
REV.	ECN.	NO.	APPD.



PIN NUMBER	SIGNAL NAME
1	VBUS
2	D-
3	D+
4	GND
5	STDA_SSRX-
6	STDA_SSRX+
7	GND_DRAIN
8	STDA_SSTX-
9	STDA_SSTX+
Shell	Shield



RECOMMENDED PCB LAYOUT



Bill of materials:

NOTES:

- ELECTRICAL:
 - CURRENT RATING:1.5 AMP;
 - INSULATION RESISTANCE: 100MΩ MIN;
 - CONTACT RESISTANCE: 30mΩ MAX;
 - WITHSTANDING VOLTAGE: 100V AC;
 - OPERATING TEMPERATURE:-40°C ~ +85°C.
- Mechanical:
 - Mating Force: 35N MAX
 - Unmating Force: 10N MIN.
- DIMENSIONS MARKED "▼" TO BE CHECKED BY Q.C & IPQC.

4. PART NO.

USAF-09*N-3BLRC113

1Au 1U"
5Au 15U"
6Au 30U"

W:WHITE
B:BLACK
BL:BLUE

1PBT
2:PA6T
3:PA9T
4:LCP

NO	PARTS	MATERIAL	QTY	FINISHING	X. ±0.35	X.' ±2'	UNITS	雅安科技有限公司 ACCURATE INNOTECH INC.				
3	SHELL	COPPER ALLOY	1	PLATED NICKEL	.X ±0.3	.X' ±1'	mm	TITLE: USB 3.0 AF 90度 DIP 无卷边 弯脚 成品图 PART NO.: USAF-09*N-3BLRC113 DR: gan 2016/12/1 DWG NO.: AII-RC113 CHKD: gan 2016/12/1 APPD:				
2	TERMINAL	COPPER ALLOY	9	PLATED GOLD/TIN	.XX ±0.25	.XX'	MAT'L					SEE NOTE
1	HOUSING	PA9T+30%GF	1	UL94V-0	.XXX ±0.15	.XXX'	FINISH					SEE NOTE
THESE DRAWINGS AND SPECIFICATIONS ARE THE PROPERTY OF ACCURATE INNOTECH INC AND SHALL NOT BE REPRODUCED, COPIED OR USED IN ANY MANNER WITHOUT THE PRIOR WRITTEN CONSENT OF ACCURATE INNOTECH INC.					Q'TY			SCALE SHEET REV. CUSTOMER DRAWING				
								1:1 1/1 B				