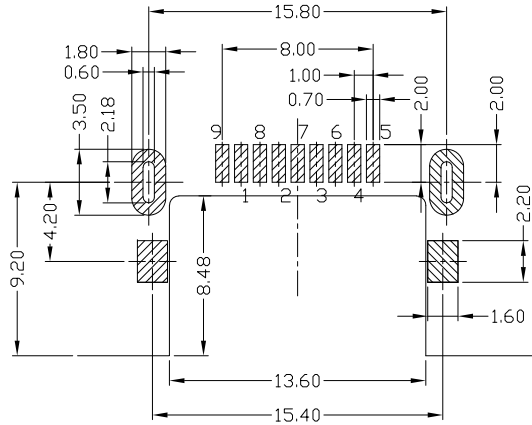
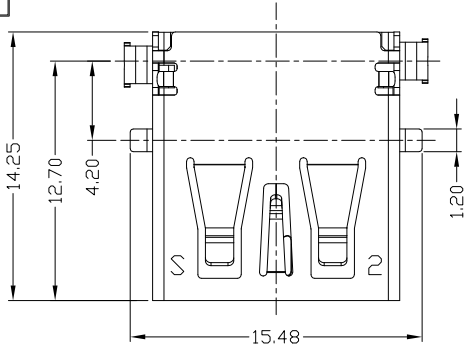




RoHS
Compliant
2002/95/EC

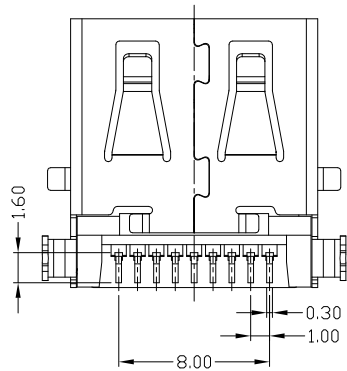
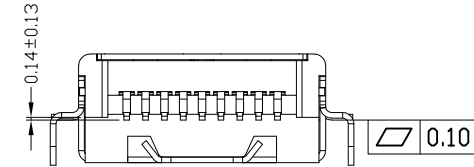
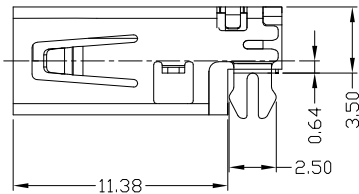
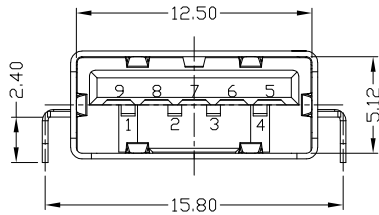
Halogen Free

REV.	ECN.	NO.	APPD.



RECOMMENDED PCB LAYOUT

Pin #	SIGNAL NAME	DESCRIPTION	MATING SEQUENCE
1	VBUS	POWER	SECOND
2	D-	USB 2.0 DIFFERENTIAL PAIR	THIRD
3	D+	DIFFERENTIAL PAIR	SECOND
4	GND	GROUND FOR POWER RETURN	LAST
5	STDA_SSRX-	SUPERSPEED RECEIVER DIFFERENTIAL PAIR	FRIST
6	STDA_SSRX+	DIFFERENTIAL PAIR	
7	GND_DRAIN	GROUND FOR SIGNAL RETURN	
8	STDA_SSTX-	SUPERSPEED TRANSMITTER DIFFERENTIAL PAIR	
9	STDA_SSTX+	DIFFERENTIAL PAIR	
Shell	Shield	CONNECTOR METAL SHELL	



NOTES:

1. ELECTRICAL:

- CURRENT RATING:1.5AMP;
- INSULATION RESISTANCE: 100MΩ MIN;
- CONTACT RESISTANCE: 30mΩ MAX;
- WITHSTANDING VOLTAGE: 100V AC;
- OPERATING TEMPERATURE:-25°C ~ +85°C.

2. Mechanical:

- Mating Force: 35N MAX
- Unmating Force: 10N MIN.

3. DIMENSIONS MARKED "▼" TO BE CHECKED BY Q.C & IPQC.

4. PART NO.

USAF-09*N-3BLVC12

1:Au 1U*
5:Au 15U*
6:Au 30U*

W:WHITE
B:BLACK
BL:BLUE
1:PBT
2:PA6T
3:PA9T
4:LCP

Bill of materials:

NO	PARTS	MATERIAL	QTY	FINISHING	X. ±0.35	X.' ±2'	UNITS	mm	雅安科技有限公司 ACCURATE INNOTECH INC.				
3	SHELL	STAINLESS STEEL	1	PLATED NICKEL	.X ±0.3	.X' ±1'	MAT'L	SEE NOTE	TITLE:	PART NO.:			
2	TERMINAL	COPPER ALLOY	9	PLATED GOLD/TIN	.XX ±0.25	.XX'	FINISH	SEE NOTE	USB 3.0 AF SMT 沉板 鱼叉脚 无卷边	USAF-09*N-3BLVC12			
1	HOUSING	PA9T+30%GF	1		.XXX ±0.15	.XXX'	Q'TY		DR: gan 2016/08/30	DWG NO.:			
									CHKD: gan 2016/08/30	AII-VC12			
									APPD:	SCALE	SHEET	REV.	CUSTOMER DRAWING
										1:1	1/1	B	

THESE DRAWINGS AND SPECIFICATIONS ARE THE PROPERTY OF ACCURATE INNOTECH INC AND SHALL NOT BE REPRODUCED, COPIED OR USED IN ANY MANNER WITHOUT THE PRIOR WRITTEN CONSENT OF ACCURATE INNOTECH INC.