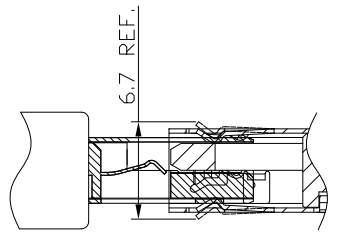
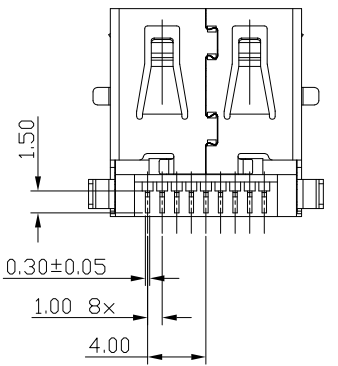
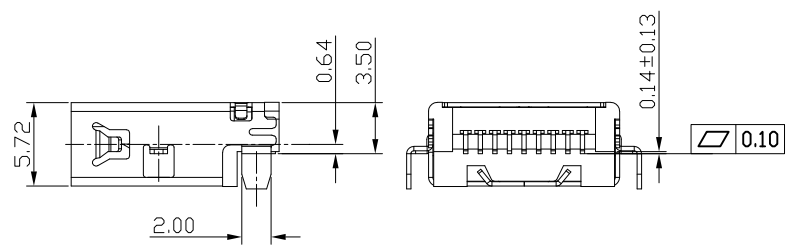
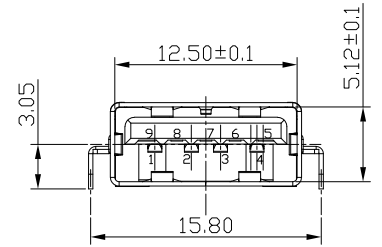
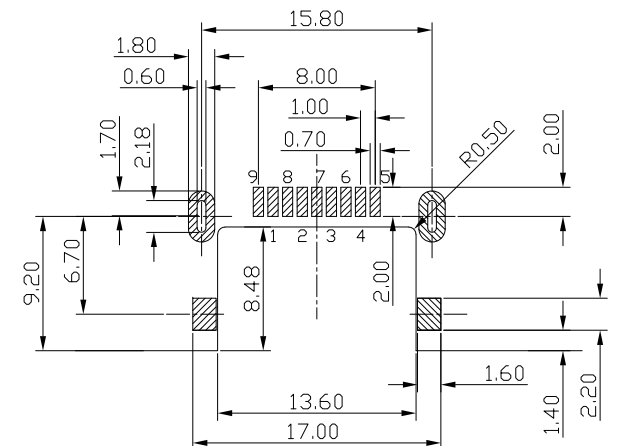
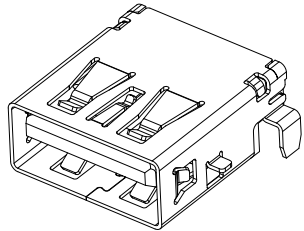
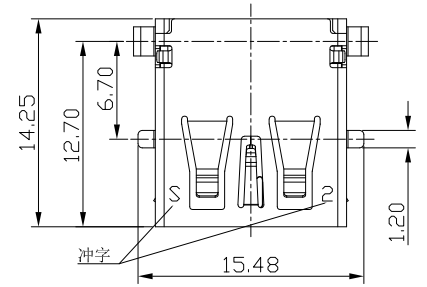


RoHS Compliant  
2002/95/EC  
Halogen Free

REV	LTR	DESCRIPTION	DATE	REVISER	APPD

Pin NUMBER	SIGNAL NAME
1	VBUS
2	D-
3	D+
4	GND
5	StdA_SSRX-
6	StdA_SSRX+
7	GND_DRAIN
8	StdA_SSTX-
9	StdA_SSTX+
Shell	Shield



公母對插圖

- NOTES:
- ELECTRICAL:
    - CURRENT RATING: 1.5AMP.
    - INSULATION RESISTANCE: 100MΩ MIN;
    - CONTACT RESISTANCE: 30mΩ MAX;
    - WITHSTANDING VOLTAGE: 100V AC; 1 MIN.
    - OPERATING TEMPERATURE: -25°C TO +85°C.
  - MECHANICAL:
    - Mating Force: 35N MAX
    - Unmating Force: 10N MIN.
    - Durability: 5000 CYCLE.
  - DIMENSIONS MARKED "▼"  
TO BE CHECKED BY Q.C & IPQC.

4. PART NO.  
USAF-091N-3BLVC15
- 1Au 1U"
  - 5Au 15U"
  - 6Au 30U"
  - W:WHITE
  - B:BLACK
  - BL:BLUE
  - 1PBT
  - 2PA6T
  - 3PA9T
  - 4LCP

Bill of materials:

NO	PARTS	MATERIAL	QTY	FINISHING	.X ±0.50	.X' ±3'	UNITS	mm
5					.X ±0.50	.X' ±3'	MAT'L	
4					.XX ±0.20	.XX' ±1'	SEE NOTE	
3	SHELL	STAINLESS STEEL	1	PLATED NICKEL	.XXX ±0.10	.XXX' ±0.5'	FINISH	
2	CONTACT	COPPER ALLOY	9	PLATED GOLD/TIN			SEE NOTE	
1	HOUSING	PA9T+30%GF	1				Q'TY	

THESE DRAWINGS AND SPECIFICATIONS ARE THE PROPERTY OF ACCURATE INNOTECH INC AND SHALL NOT BE REPRODUCED, COPIED OR USED IN ANY MANNER WITHOUT THE PRIOR WRITTEN CONSENT OF ACCURATE INNOTECH INC

雅安科技有限公司  
ACCURATE INNOTECH INC.

TITLE: USB 3.0 AF 90° SMT 沉板 方脚  
无卷边 前脚移位 H=3.5 L=14.25

DR: Ricky 2020/06/16

CHKD: Ricky 2020/06/16

APPD:

PART NO.: USAF-091N-3BLVC15

DWG NO.: AII-VC15

SCALE: FIT SHEET: 1/1 REV: B CUSTOMER DRAWING