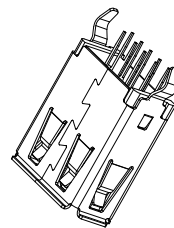
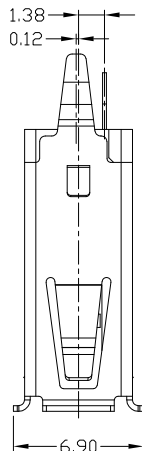
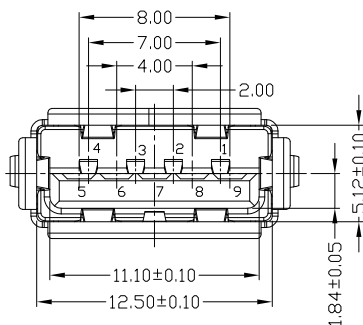
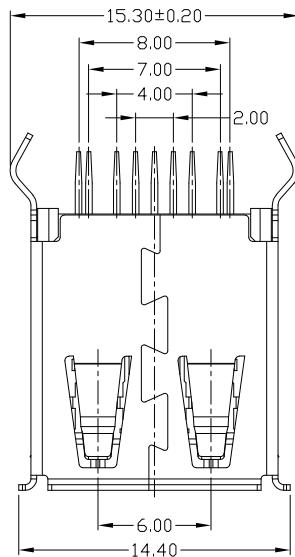
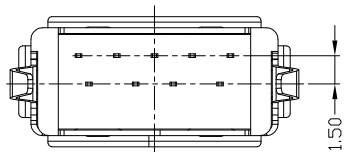


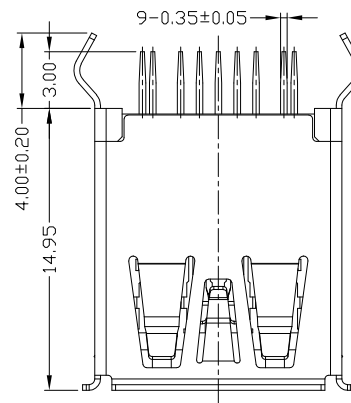


RoHS
Compliant
2002/95/EC

Halogen Free

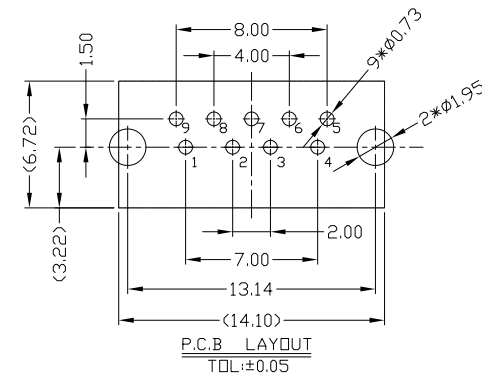


3D_VIEW
SC 1:2



PIN NUMBER	SIGNAL NAME
1	VBUS
2	D-
3	D+
4	GND
5	STDA_SSRX-
6	STDA_SSRX+
7	GND_DRAIN
8	STDA_SSTX-
9	STDA_SSTX+
Shell	Shield

REV.	ECN. NO.	APPD.



NOTES:

- ELECTRICAL:
 - CURRENT RATING: 1.5 AMP;
 - INSULATION RESISTANCE: 100MΩ MIN;
 - CONTACT RESISTANCE: 30mΩ MAX;
 - WITHSTANDING VOLTAGE: 100V AC;
 - OPERATING TEMPERATURE: -25°C ~ +85°C.
- Mechanical:
 - Mating Force: 35N MAX
 - Unmating Force: 10N MIN.
- DIMENSIONS MARKED "▼" TO BE CHECKED BY Q.C & IPQC.

4. PART NO.

USAF-091N-4BLPC12

1: Au 1U'
5: Au 15U'
6: Au 30U'

W: WHITE
B: BLACK
BL: BLUE
1: PBT
2: PA6T
3: PA9T
4: LCP

Bill of materials:

NO	PARTS	MATERIAL	QTY	FINISHING	X.	±0.50	X.'	±3'	UNITS	mm	雅安科技有限公司 ACCURATE INNOTECH INC.	TITLE: USB 3.0 AF 180度 DIP 卷边無缺口 弯脚15.6 H=14.9	PART NO.: USAF-09*N-4BLPC12		
3	SHELL	STAINLESS STEEL	1	PLATED NICKEL	.X	±0.30	.X'	±2'	MAT'L	SEE NOTE				DR: Ricky 2023/03/03	DWG NO.: AII-PC12
2	CONTACT	COPPER ALLOY	9	PLATED GOLD/TIN	.XX	±0.20	.XX'	±1'	FINISH	SEE NOTE				CHKD: Ricky 2023/03/03	SCALE SHEET REV. CUSTOMER 1:1 1/1 B DRAWING
1	HOUSING	LCP/PBT/PA9T+30%GF	1	UL94V-0	.XXX	±0.10	.XXX'	±0.5'	Q'TY	SEE NOTE				APPD:	

THESE DRAWINGS AND SPECIFICATIONS ARE THE PROPERTY OF ACCURATE INNOTECH INC AND SHALL NOT BE REPRODUCED, COPIED OR USED IN ANY MANNER WITHOUT THE PRIOR WRITTEN CONSENT OF ACCURATE INNOTECH INC.

