

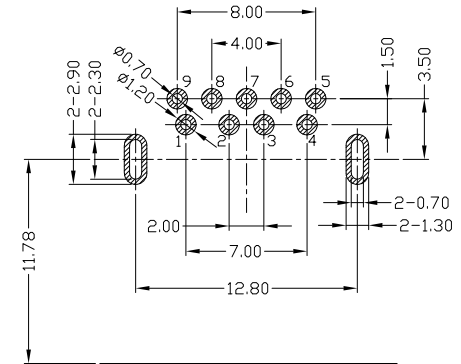
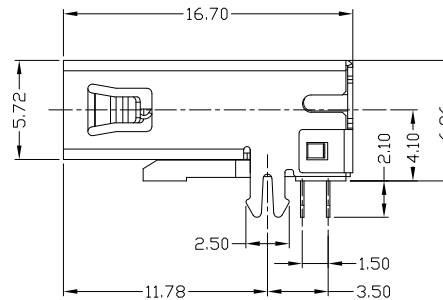
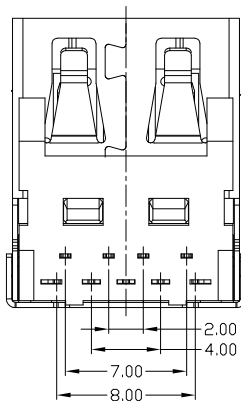
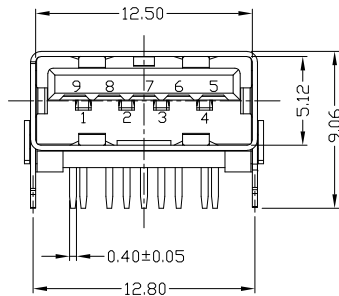
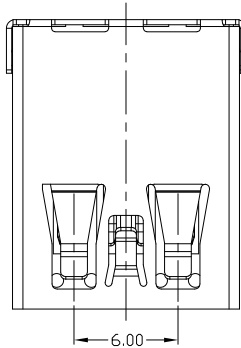


RoHS
Compliant
2002/95/EC

Halogen Free

REV.	ECN.	NO.	APPD.

PIN NUMBER	SIGNAL NAME
1	VBUS
2	D-
3	D+
4	GND
5	STDA_SSRX-
6	STDA_SSRX+
7	GND_DRAIN
8	STDA_SSTX-
9	STDA_SSTX+
Shell	Shield



RECOMMENDED PCB LAYOUT

NOTES:

- ELECTRICAL:
 - CURRENT RATING:1.5 AMP;
 - INSULATION RESISTANCE: 100MΩ MIN;
 - CONTACT RESISTANCE: 30mΩ MAX;
 - WITHSTANDING VOLTAGE: 100V AC;
 - OPERATING TEMPERATURE:-40°C ~ +85°C.
- Mechanical:
 - Mating Force: 35N MAX
 - Unmating Force: 10N MIN.
- DIMENSIONS MARKED "▼" TO BE CHECKED BY Q.C & IPQC.

4. PART NO.

USAF-09*N-4BLRC114

1Au 1U"
5Au 15U"
6Au 30U"

W:WHITE
B:BLACK
BL:BLUE
1PBT
2:PA6T
3:PA9T
4:LCP

Bill of materials:

NO	PARTS	MATERIAL	QTY	FINISHING	X. ±0.35	X.' ±2'	UNITS	mm	雅安科技有限公司 ACCURATE INNOTECH INC.						
3	SHELL	COPPER ALLOY	1	PLATED NICKEL	.X ±0.3	.X' ±1'	MAT'L	SEE NOTE	TITLE: USB 3.0 AF 90度 DIP 无卷边 鱼叉脚 脚长2.1 PART NO.: USAF-09*N-4BLRC114						
2	TERMINAL	COPPER ALLOY	9	PLATED GOLD/TIN	.XX ±0.25	.XX'	FINISH	SEE NOTE					DR: gan 2016/12/1 DWG NO.: AII-RC114		
1	HOUSING	LCP+30%GF	1	UL94V-0	.XXX ±0.15	.XXX'	Q'TY	SEE NOTE	CHKD: gan 2016/12/1						
								THESE DRAWINGS AND SPECIFICATIONS ARE THE PROPERTY OF ACCURATE INNOTECH INC AND SHALL NOT BE REPRODUCED, COPIED OR USED IN ANY MANNER WITHOUT THE PRIOR WRITTEN CONSENT OF ACCURATE INNOTECH INC.		APPD:		SCALE	SHEET	REV.	CUSTOMER DRAWING
										1:1		1/1		B	