

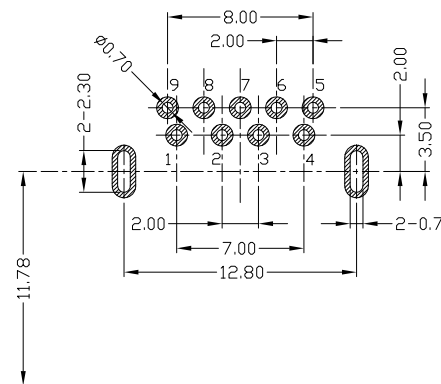
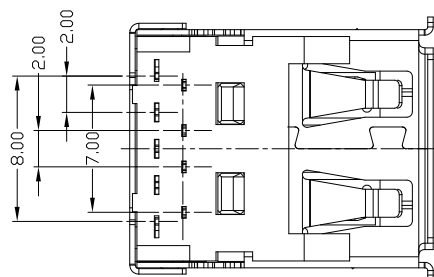
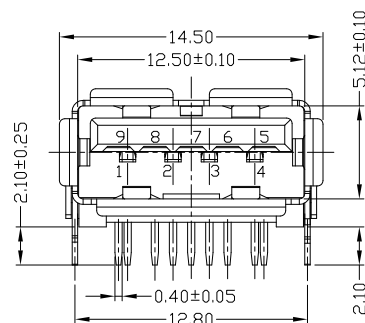
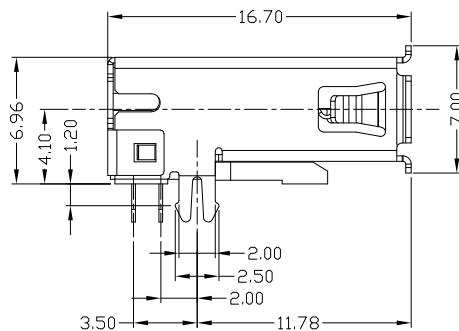
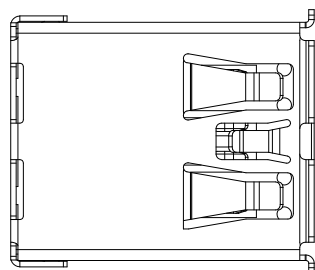
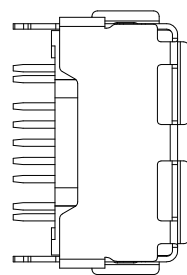


RoHS  
Compliant  
2002/95/EC

Halogen Free

PIN NUMBER	SIGNAL NAME
1	VBUS
2	D-
3	D+
4	GND
5	STDA_SSRX-
6	STDA_SSRX+
7	GND_DRAIN
8	STDA_SSTX-
9	STDA_SSTX+
Shell	Shield

REV.	ECN. NO.	APPD.



RECOMMENDED PCBA LAYOUT  
(TOLERANCE+±0.05)

NOTES:

1.ELECTRICAL:

- CURRENT RATING:1.5AMP.
- INSULATION RESISTANCE: 100MΩ MIN;
- CONTACT RESISTANCE: 30mΩ MAX;
- WITHSTANDING VOLTAGE: 100V R.M.S.
- OPERATING TEMPERATURE:-40°C TO +85°C.

2.MECHANICAL:

- MATING FORCE: 35N MAX.
- UNMATING FORCE: 10N MIN.
- DURABILITY: 1,500 CYCLES

3.DIMENSIONS MARKED "▼"  
TO BE CHECKED BY Q.C & IPQC.

USAF-091N-4BLRC119

1Au 1U"  
5Au 15U"  
6Au 30U"

W:WHITE  
B:BLACK  
BL:BLUE

1PBT  
2PA6T  
3PA9T  
4LCP

Bill of materials:

NO	PARTS	MATERIAL	QTY	FINISHING	X.	±0.50	X.'	±3'	UNITS	mm	雅安科技有限公司 ACCURATE INNOTECH INC.	TITLE: USB 3.0 AF 90° 板上 DIP 卷边 鱼叉脚 宽2.5长2.1 CH=4.1 L=16.7 锡脚长2.1	PART NO.: USAF-091N-4BLRC119			
					.X	±0.30	.X'	±2'	MAT'L					SEE NOTE	DR: Ricky 2022/11/04	DWG NO.: AII-RC119
3	SHELL	COPPER ALLOY	1	PLATED NICKEL	.XX	±0.20	.XX'	±1'	FINISH	SEE NOTE	DR: Ricky 2022/11/04	SCALE	SHEET	REV.	CUSTOMER	
2	CONTACT	COPPER ALLOY	9	PLATED GOLD/TIN	.XXX	±0.10	.XXX'	±0.5'	Q'TY	SEE NOTE	CHKD: Ricky 2022/11/04	1:1	1/1	B	DRAWING	
1	HOUSING	LCP+30%GF	1	UL94V-0	THESE DRAWINGS AND SPECIFICATIONS ARE THE PROPERTY OF ACCURATE INNOTECH INC AND SHALL NOT BE REPRODUCED, COPIED OR USED IN ANY MANNER WITHOUT THE PRIOR WRITTEN CONSENT OF ACCURATE INNOTECH INC.											