



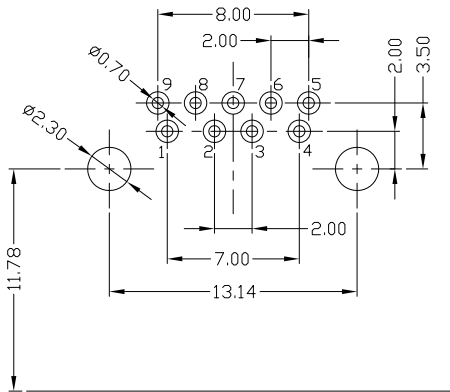
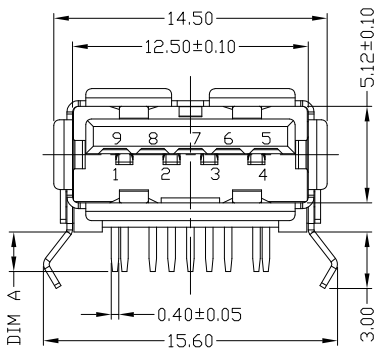
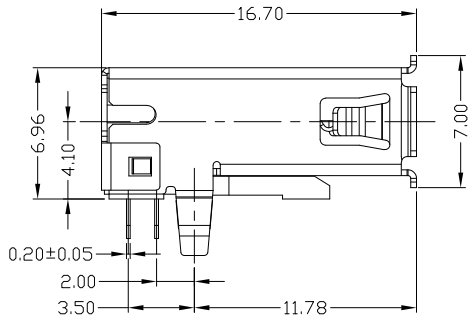
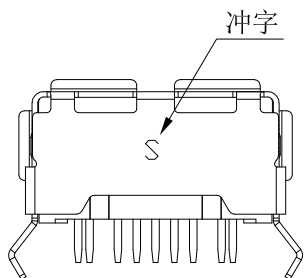
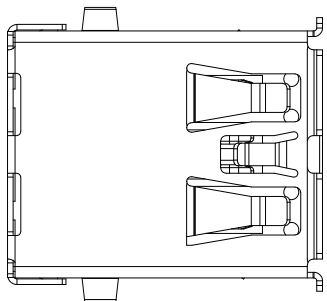
RoHS  
Compliant  
2002/95/EC

Halogen Free

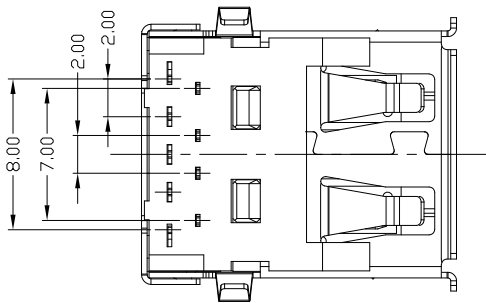
REV.	ECN.	NO.	APPD.

PIN NUMBER	SIGNAL NAME
1	V BUS
2	D-
3	D+
4	GND
5	STDA_SSRX-
6	STDA_SSRX+
7	GND_DRAIN
8	STDA_SSTX-
9	STDA_SSTX+
Shell	Shield

USAF-09*N-4BLRC18	2.1
USAF-09*N-4BLRC19	2.5
P/N:	DIM A



RECOMMENDED PCB LAYOUT  
(TOLERANCE+±0.05)



NOTES:

- ELECTRICAL:
  - CURRENT RATING:1.5AMP;
  - INSULATION RESISTANCE: 100MΩ MIN;
  - CONTACT RESISTANCE: 30mΩ MAX;
  - WITHSTANDING VOLTAGE: 100V AC;
  - OPERATING TEMPERATURE:-40°C ~ +85°C.
- Mechanical:
  - Mating Force: 35N MAX
  - UNMATING FORCE: 10N MIN INITIAL; 8N MIN AFTER TEST
  - DURABILITY: 5,000 CYCLES
- DIMENSIONS MARKED "▼" TO BE CHECKED BY Q.C & IPQC.

4. PART NO.  
USAF-091N-4BLRC1X  
SEE CHART  
W:WHITE  
B:BLACK  
BL:BLUE  
1:Au 1U'  
5:Au 15U'  
6:Au 30U'  
1-PBT  
2-PA6T  
3-PA9T  
4-LCP

Bill of materials:

NO	PARTS	MATERIAL	QTY	FINISHING	UNITS	mm	雅安科技有限公司 ACCURATE INNOTECH INC.							
3	SHELL	STAINLESS STEEL	1	PLATED NICKEL	X.	±0.50	X.*	±3'	SEE NOTE	TITLE: USB 3.0 AF 90° 板上 DIP 卷边 弯脚W15.6 CH=4.1 L=16.7 锡脚长 2.1&2.5 不锈钢壳		PART NO.: USAF-09XN-4BLRC18&9		
2	CONTACT	COPPER ALLOY	9	PLATED GOLD/TIN	.X	±0.30	.X.*	±2'		SEE NOTE	DR: Ricky 2022/07/08		DWG NO.: AII-RC18&9	
1	HOUSING	LCP+30%GF	1	UL94V-0	.XX	±0.20	.XX.*	±1'			CHKD: Ricky 2022/07/08		SCALE SHEET REV. CUSTOMER 1:1 1/1 B DRAWING	
					Q'TY					THESE DRAWINGS AND SPECIFICATIONS ARE THE PROPERTY OF ACCURATE INNOTECH INC AND SHALL NOT BE REPRODUCED, COPIED OR USED IN ANY MANNER WITHOUT THE PRIOR WRITTEN CONSENT OF ACCURATE INNOTECH INC.				