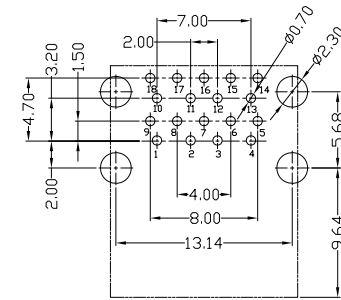
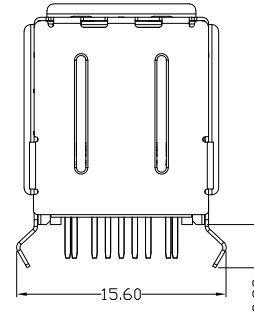
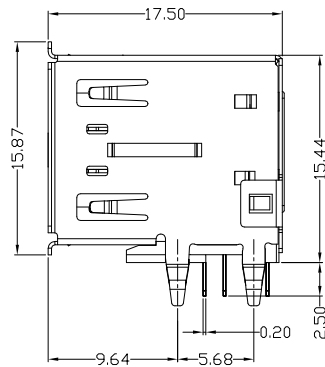
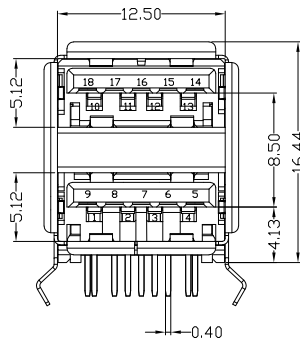
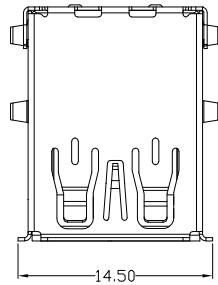


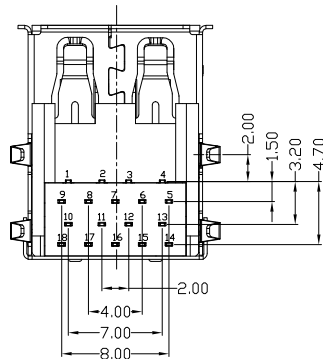


RoHS
Compliant
2002/95/EC

REV.	ECN.	NO.	APPD.



RECOMMENDED P.C.B HOLE LAYOUT
TOP VIEW (TOLERANCE: ±0.05)



USB 2.0 CONTACT PINS		USB 3.0 CONTACT PINS	
Pin NUMBER	SIGNAL NAME	Pin NUMBER	SIGNAL NAME
1	VBUS	5	StdA_SSRX-
2	D-	6	StdA_SSRX+
3	D+	7	GND_DRAIN
4	GND	8	StdA_SSTX-
Shell	Shield	9	StdA_SSTX+

NOTES:

1.ELECTRICAL:

- 1)VOLTAGE CURRENT RATING: 1.5AMP DC 30V MAX RATED
- 2)INSULATION RESISTANCE: 1000MΩ MIN.
- 3)CONTACT RESISTANCE: 30mΩ MAX.
- 4)WITHSTANDING VOLTAGE: 750V AC FOR 1 MINUTE
- 5)OPERATING TEMPERATURE: -20°C TO +85°C.

2.MECHANICAL:

- 1)MATING FORCE: 35N MAX.
- 2)UNMATING FORCE: 10N MIN INITIAL.
- 3)DURABILITY: 1,500 CYCLES

3.DIMENSIONS MARKED "▼"

TO BE CHECKED BY Q.C & IPQC.

4. PART NO.

USAF-181N-1BLRC11

1: Au 1U"
5: Au 15U"
6: Au 30U"

W: WHITE
B: BLACK
BL: BLUE

1: PBT
2: PA6T
3: PA9T
4: LCP

Bill of materials:

NO	PARTS	MATERIAL	QTY	FINISHING	X.	±0.50	X.'	±3'	UNITS	mm	雅安科技有限公司 ACCURATE INNOTECH INC.			
6					X.	±0.50	X.'	±3'	MAT'L	SEE NOTE	TITLE: USB 3.0 AF 90° DIP 双层 弯脚15.6 有卷边 CH=8.38 L=17.5 锡脚长2.5	PART NO.:		
5	CILP	STAINLESS STEEL	1		.X	±0.38	.X'	±2'	SEE NOTE	DR: Ricky 2022/06/09	USAF-18XN-1BLRC11			
4	SHELL	STAINLESS STEEL	1	PLATED NICKEL	.XX	±0.25	.XX'	±1'	SEE NOTE	CHKD: Ricky 2022/06/09	DWG NO.:			
3	CONTACT	COPPER ALLOY	18	PLATED GOLD/TIN	.XXX	±0.15	.XX'	±0.5'	FINISH	APPD:	AII-RC11			
2	INNER INSULATOR	PBT+30%GF	1	UL94V-0	THESE DRAWINGS AND SPECIFICATIONS ARE THE PROPERTY OF ACCURATE INNOTECH INC AND SHALL NOT BE REPRODUCED, COPIED OR USED IN ANY MANNER WITHOUT THE PRIOR WRITTEN CONSENT OF ACCURATE INNOTECH INC						SCALE	SHEET	REV.	CUSTOMER
1	HOUSING	PBT+30%GF	1	UL94V-0							1:1	1/1	B	DRAWING