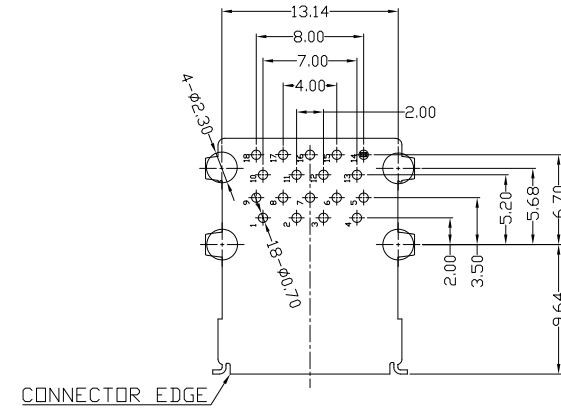
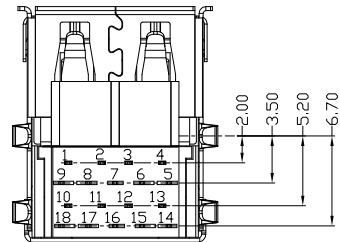
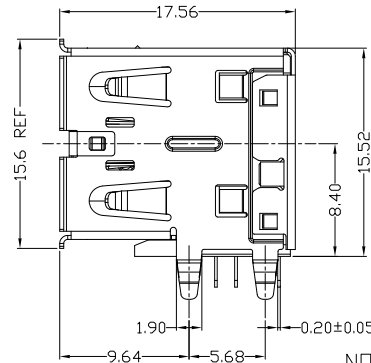
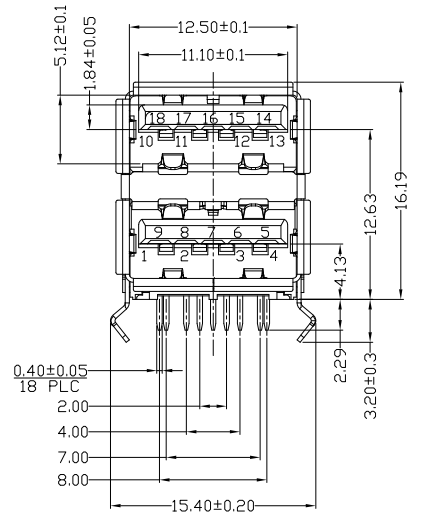
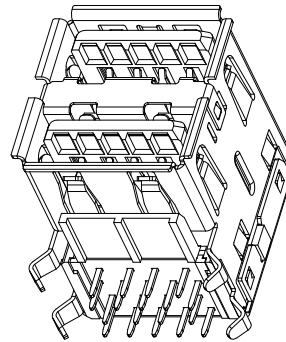
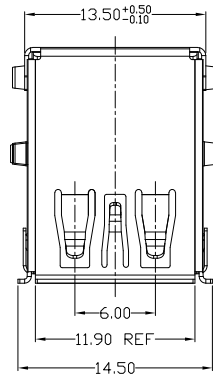




RoHS  
Compliant  
2002/95/EC

REV.	ECN.	NO.	APPD.



PCB LAYOUT REFERENCE

USB 2.0 CONTACT PINS		USB 3.0 CONTACT PINS	
Pin NUMBER	SIGNAL NAME	Pin NUMBER	SIGNAL NAME
1	VBUS	5	StdA_SSRX-
2	D-	6	StdA_SSRX+
3	D+	7	GND_DRAIN
4	GND	8	StdA_SSTX-
Shell	Shield	9	StdA_SSTX+

NOTES:

1.ELECTRICAL:

- VOLTAGE CURRENT RATING:  
VBUS&GND pins:1.8Amps MAX PER PIN;  
OTHER PINS:0.25A/PIN;
- INSULATION RESISTANCE: 100MΩ MIN
- CONTACT RESISTANCE:  
30mΩ(MAX) INITIAL FOR VBUS AND GND CONTACTS  
50mΩ(MAX) INITIAL FOR OTHER CONTACTS
- WITHSTANDING VOLTAGE: 100V AC FOR 1 MINUTE.
- OPERATING TEMPERATURE:-55°C TO +85°C.

2.Mechanical:

- Mating Force: 35N MAX.
- Unmating Force: 10N MIN.
- Durability: 1,500 cycles

3.DIMENSIONS MARKED "▼"

TO BE CHECKED BY Q.C & IPQC.

4. PART NO.

USAF-18\*N-3BLRU30

1:1U\*  
5:15U\*  
6:30U\*

W:WHITE  
B:BLACK  
BL:BLUE

1:PBT  
2:PA6T  
3:PA9T  
4:LCP

Bill of materials:

NO	PARTS	MATERIAL	QTY	FINISHING	UNITS	mm	UNITS	mm	UNITS	mm
6	MIDDLE SHELL	STAINLESS STEEL	1		.X	±0.30	X.*	±10*	UNITS	mm
5	SHELL	STAINLESS STEEL	1	PLATED NICKEL	.XX	±0.20	.X.*	±8*	MAT'L	
4	CONTACT 3.0	COPPER ALLOY	10	PLATED GOLD/TIN	.XXX	±0.10	.XX.*	±5*	SEE NOTE	
3	CONTACT 2.0	COPPER ALLOY	8	PLATED GOLD/TIN					SEE NOTE	
2	INNER INSULATOR	LCP+30%GF	1	UL94V-0					FINISH	
1	HOUSING	PA9T+30%GF	1	UL94V-0					Q'TY	

THESE DRAWINGS AND SPECIFICATIONS ARE THE PROPERTY OF ACCURATE INNOTECH INC AND SHALL NOT BE REPRODUCED, COPIED OR USED IN ANY MANNER WITHOUT THE PRIOR WRITTEN CONSENT OF ACCURATE INNOTECH INC



雅安科技有限公司  
ACCURATE INNOTECH INC.

TITLE: USB 3.0 AF 双层 90°  
DIP 弯脚 L=17.56mm

DR: Ricky 2022/06/08

CHKD: Ricky 2022/06/08

APPD:

PART NO.: USAF-18XN-3BLRU30

DWG NO.: AII-RU30

SCALE	SHEET	REV.	CUSTOMER DRAWING
1:1	1/1	B	