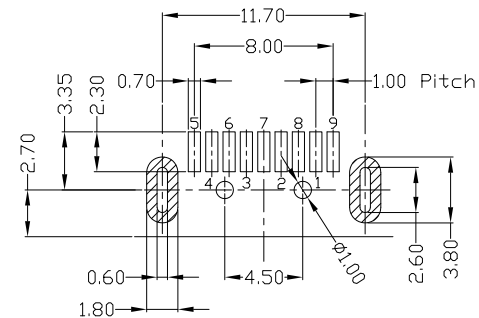
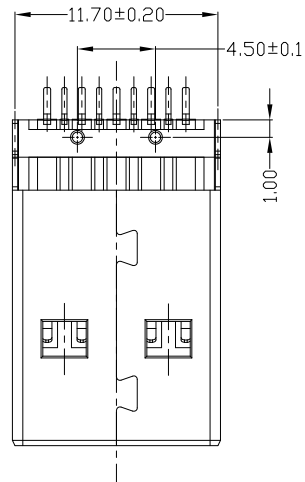
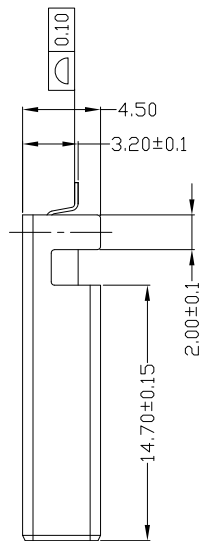
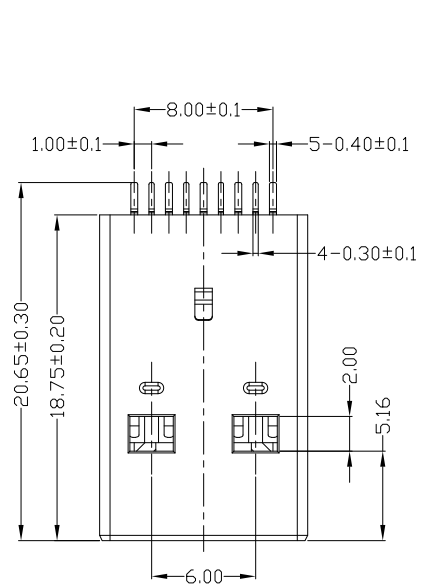


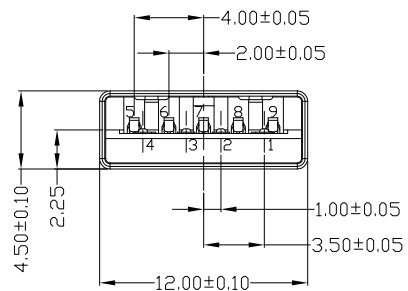
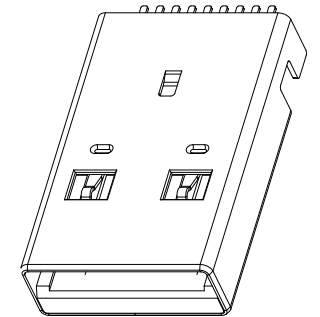


RoHS Compliant  
2002/95/EC  
Process Capable

REV	LTR	DESCRIPTION	DATE	REVISER	APPD



RECOMMENDED P.C.B LAYOUT



PIN NUMBER	SIGNAL NAME
1	VBUS
2	D-
3	D+
4	GND
5	STDA_SSRX-
6	STDA_SSRX+
7	GND_DRAIN
8	STDA_SSTX-
9	STDA_SSTX+
Shell	Shield

NOTES:

- ELECTRICAL:
  - VOLTAGE CURRENT RATING: 1.5AMP, 30V AC;
  - INSULATION RESISTANCE: 100MΩ MIN;
  - CONTACT RESISTANCE: 30mΩ MAX;
  - WITHSTANDING VOLTAGE: 500V AC;
  - OPERATING TEMPERATURE: -55°C TO +85°C.
- Mechanical:
  - Mating Force: 35N MAX
  - Unmating Force: 10N MIN.
- DIMENSIONS MARKED "▼"  
TO BE CHECKED BY Q.C & IPQC.

4. PART NO.

USAM-09\*N-4BLVU37

- 1: Au 1U\*
- 5: Au 15U\*
- 6: Au 30U\*
- 1: V-WHITE
- 2: BLACK
- 3: PA9T
- 4: LCP

Bill of materials:

NO	PARTS	MATERIAL	QTY	FINISHING	UNITS	mm	TITLE:	PART NO.:
3	HOUSING	LCP+30%GF	1	PLATED NICKEL	X. ±0.35	X.* ±2*	雅安科技有限公司 ACCURATE INNOTECH INC.	USAM-09XN-4BLVU37
2	SHELL	SPCC	1	UL94V-0	.X ±0.3	.X* ±1*	USB AM 3.0 L=18.7MM 沉板3.2MM 有柱(外壳脚长4.50MM)锡脚1.9	AII-VU37
1	TERMINAL	COPPER ALLOY	9	PLATED GOLD/TIN	.XX ±0.25	.XX*	DR: Ricky 2019/2/18	DWG NO.:
					.XXX ±0.15	.XXX*	CHKD: Ricky 2019/2/18	AII-VU37
							APPD:	SCALE SHEET REV. CUSTOMER DRAWING
								1:1 1/1 B

THESE DRAWINGS AND SPECIFICATIONS ARE THE PROPERTY OF ACCURATE INNOTECH INC AND SHALL NOT BE REPRODUCED, COPIED OR USED IN ANY MANNER WITHOUT THE PRIOR WRITTEN CONSENT OF ACCURATE INNOTECH INC

