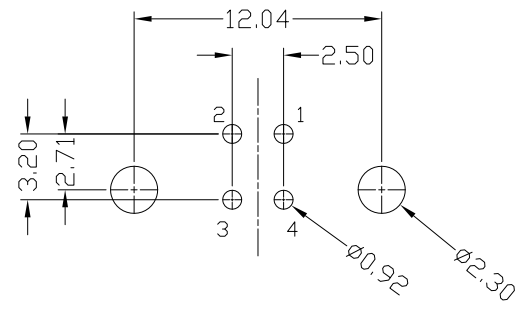
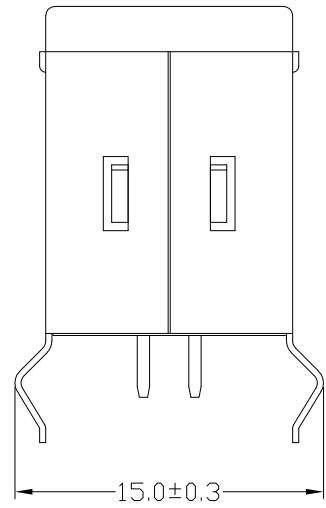
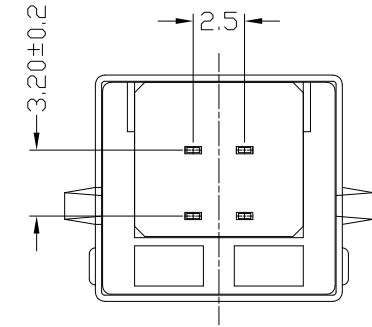
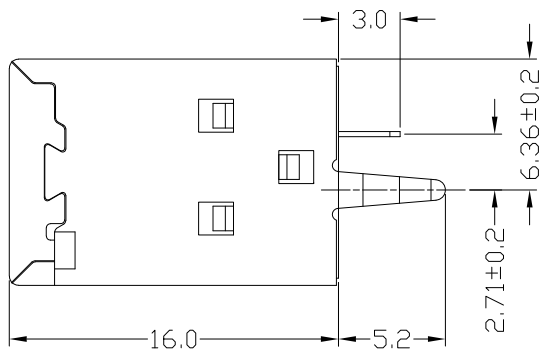
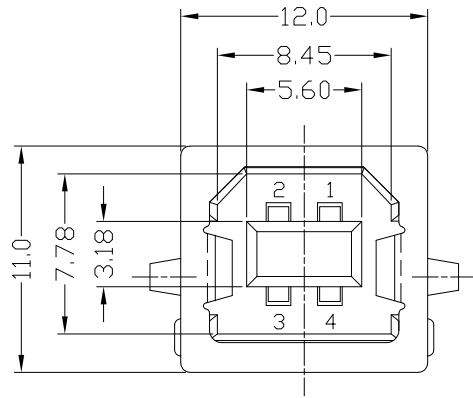




RoHS  
Compliant  
2002/95/EC

REV.	ECN.	NO.	APPD.



PCB LAYOUT

NOTES:  
 1.ELECTRICAL:  
 1)VOLTAGE CURRENT RATING: 2AMP,30V AC;  
 2)INSULATION RESISTANCE: 1000MΩ MIN;  
 3)CONTACT RESISTANCE: 30mΩ MAX;  
 4)WITHSTANDING VOLTAGE: 500V AC;  
 5)OPERATING TEMPERATURE:-55°C TO +85°C.  
 2.Mechanical:  
 1)Mating Force: 35N MAX  
 2)Unmating Force: 10N MIN.  
 3.DIMENSIONS MARKED "▼"  
 TO BE CHECKED BY Q.C & IPQC.

4.PART NO.  
 USBF-041N-1XP30  
 W/WHITE  
 B/BLACK  
 1:1Au 10"  
 6:1Au 30"  
 1:PBT  
 2:PA6T  
 3:PA9T  
 4:LCP

5					.X ±0.3	X.* ±2.0*	UNITS	雅安科技有限公司 ACCURATE INNOTECH INC.				
4	BOTTOM COVER	PBT+30%GF	1	UL94V-0	.XX ±0.2	.X* ±1.0*	mm					TITLE:
3	HOUSING	PBT+30%GF	1	UL94V-0	.XXX	.XX* ±0.5*	MAT'L	USB BF 180度 插板式	USBF-04XN-1XP30			
2	SHELL	COPPER ALLOY	1	PLATED NICKEL			SEE NOTE	DR:	Ricky 2022/06/07			
1	TERMINAL	COPPER ALLOY	4	PLATED GOLD/TIN			FINISH	CHKD:	Ricky 2022/06/07			
NO	PARTS	MATERIAL	QTY	FINISHING	THESE DRAWINGS AND SPECIFICATIONS ARE THE PROPERTY OF ACCURATE INNOTECH INC AND SHALL NOT BE REPRODUCED, COPIED OR USED IN ANY MANNER WITHOUT THE PRIOR WRITTEN CONSENT OF ACCURATE INNOTECH INC		Q'TY	APPD:	AII-P30			
									SCALE	SHEET	REV.	CUSTOMER DRAWING
									1:1	1/1	B	