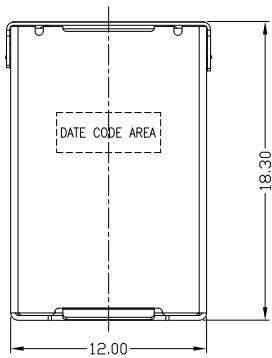


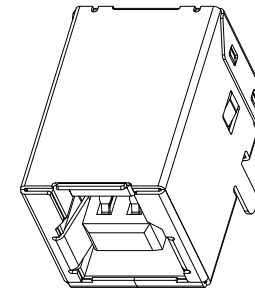


RoHS
Compliant
2002/95/EC

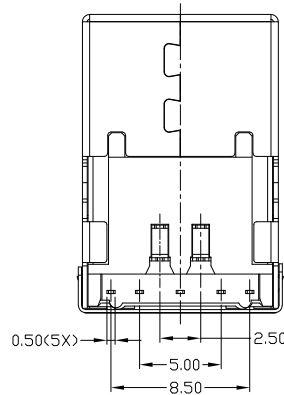
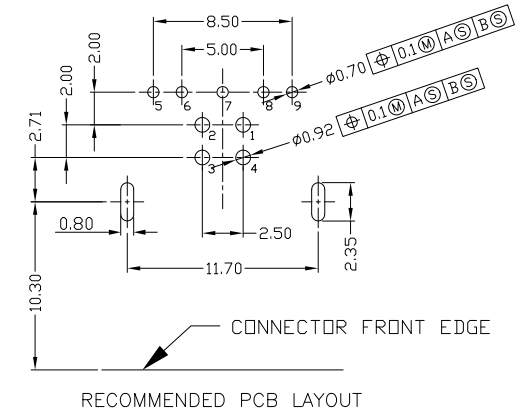
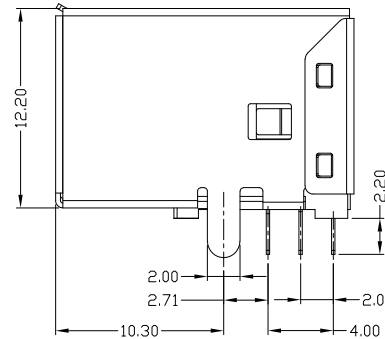
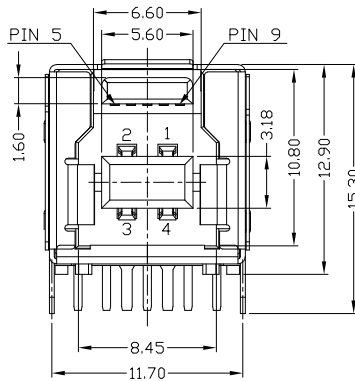
Halogen Free



PIN NUMBER	SIGNAL NAME
1	VBUS
2	D-
3	D+
4	GND
5	STDB_SSTX-
6	STDB_SSTX+
7	GND_DRAIN
8	STDB_SSRX-
9	STDB_SSRX+
Shell	Shield



REV.	ECN.	NO.	APPD.



NOTES:

- ELECTRICAL:
 - CURRENT RATING:1.5AMP;
 - INSULATION RESISTANCE: 100MΩ MIN;
 - CONTACT RESISTANCE: 30mΩ MAX;
 - WITHSTANDING VOLTAGE: 100V AC;
 - OPERATING TEMPERATURE:-40°C ~ +85°C.
- Mechanical:
 - Mating Force: 35N MAX
 - Unmating Force: 10N MIN.
- DIMENSIONS MARKED "▼" TO BE CHECKED BY Q.C & IPQC.

4. PART NO.

USBF-09*N-4BLRC10

1:1U'
5:15U'
6:30U'

W:WHITE
B:BLACK
BL:BLUE
1:PBT
2:PA6T
3:PA9T
4:LCP

Bill of materials:

NO	PARTS	MATERIAL	QTY	FINISHING	UNIT	QTY	FINISHING	QTY	FINISHING
5	HOUSING	LCP+30%GF	1	UL94V-0	X. ±0.35	X.' ±2'	UNITS	mm	雅安科技有限公司 ACCURATE INNOTECH INC. TITLE: USB 3.0 BF DIP 90度 直脚 PART NO.: USBF-09*N-4BLRC10 DR: gan 2016/08/30 DWG NO.: AII-RC10 CHKD: gan 2016/08/30 APPD:
4	BACK COVER	COPPER ALLOY/SPCC	1	PLATED NICKEL	.X ±0.3	.X' ±1'	MAT'L	SEE NOTE	
3	SHELL	COPPER ALLOY	1	PLATED NICKEL	.XX ±0.25	.XX'	FINISH	SEE NOTE	
2	TERMINAL(4P)	COPPER ALLOY	4	PLATED GOLD/TIN	.XXX ±0.15	.XXX'	Q'TY	SEE NOTE	
1	TERMINAL(5P)	COPPER ALLOY	5	PLATED GOLD/TIN	THESE DRAWINGS AND SPECIFICATIONS ARE THE PROPERTY OF ACCURATE INNOTECH INC AND SHALL NOT BE REPRODUCED, COPIED OR USED IN ANY MANNER WITHOUT THE PRIOR WRITTEN CONSENT OF ACCURATE INNOTECH INC.				
NO	PARTS	MATERIAL	QTY	FINISHING					SCALE: 1:1 SHEET: 1/1 REV.: B CUSTOMER DRAWING