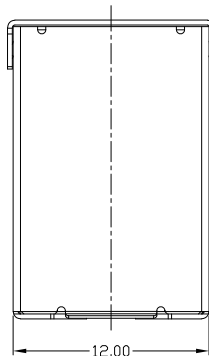




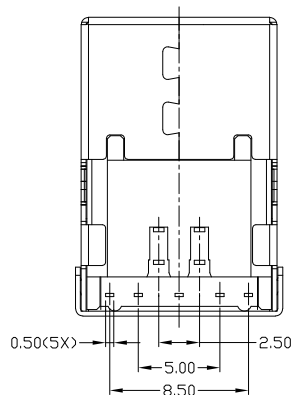
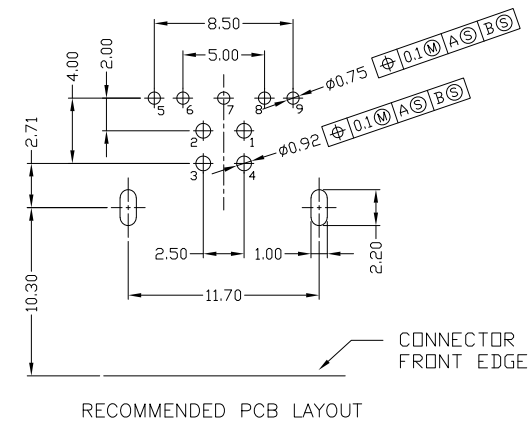
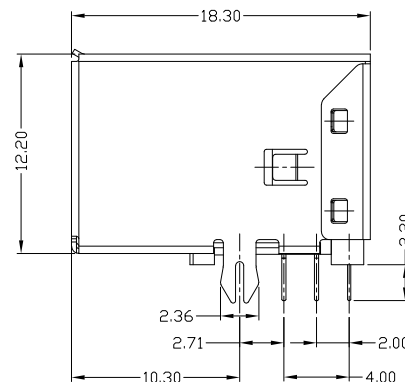
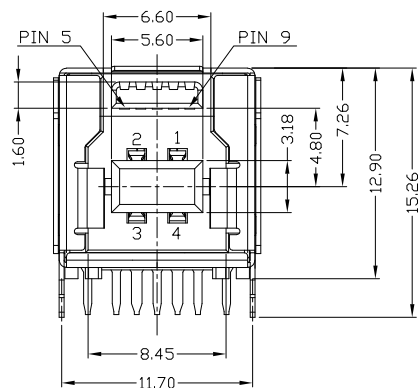
RoHS Compliant
2002/95/EC

Halogen Free

| REV. | ECN. | NO. | APPD. |
|------|------|-----|-------|
| | | | |
| | | | |
| | | | |



| PIN NUMBER | SIGNAL NAME |
|------------|-------------|
| 1 | VBUS |
| 2 | D- |
| 3 | D+ |
| 4 | GND |
| 5 | STDB_SSTX- |
| 6 | STDB_SSTX+ |
| 7 | GND_DRAIN |
| 8 | STDB_SSRX- |
| 9 | STDB_SSRX+ |
| Shell | Shield |



NOTES:

1. ELECTRICAL:

- CURRENT RATING: 1.5 AMP;
- INSULATION RESISTANCE: 1000MΩ MIN;
- CONTACT RESISTANCE: 30mΩ MAX;
- WITHSTANDING VOLTAGE: 100V AC;
- OPERATING TEMPERATURE: -40°C ~ +85°C.

2. Mechanical:

- Mating Force: 35N MAX
- Unmating Force: 10N MIN.

3. DIMENSIONS MARKED "▼" TO BE CHECKED BY Q.C & IPQC.

4. PART NO.

USBF-09*N-4BLRC13

1: Au 1U*
5: Au 15U*
6: Au 30U*

1: PBT
2: PA6T
3: PA9T
4: LCP

Bill of materials:

| NO | PARTS | MATERIAL | QTY | FINISHING | X. | X.' ±2' | UNITS |
|----|--------------|-------------------|-----|-----------------|------------|---------|----------|
| 5 | HOUSING | LCP+30%GF | 1 | UL94V-0 | X. ±0.35 | X.' ±2' | mm |
| 4 | BACK COVER | COPPER ALLOY/SPCC | 1 | PLATED NICKEL | .X ±0.3 | .X' ±1' | MAT'L |
| 3 | SHELL | COPPER ALLOY | 1 | PLATED NICKEL | .XX ±0.25 | .XX' | SEE NOTE |
| 2 | TERMINAL(4P) | COPPER ALLOY | 4 | PLATED GOLD/TIN | .XXX ±0.15 | .XXX' | FINISH |
| 1 | TERMINAL(5P) | COPPER ALLOY | 5 | PLATED GOLD/TIN | | | SEE NOTE |
| | | | | | | | Q'TY |

THESE DRAWINGS AND SPECIFICATIONS ARE THE PROPERTY OF ACCURATE INNOTECH INC AND SHALL NOT BE REPRODUCED, COPIED OR USED IN ANY MANNER WITHOUT THE PRIOR WRITTEN CONSENT OF ACCURATE INNOTECH INC.



雅安科技有限公司
ACCURATE INNOTECH INC.

TITLE: USB3.0 BF 90° DIP 鱼叉脚 H12.9 成品图
DR: gan 2017/01/09
CHKD: gan 2017/01/09
APPD:

| | | | |
|-----------------------------|------------|-------------------|------------------|
| PART NO.: USBF-09*N-4BLRC13 | | DWG NO.: AII-RC13 | |
| SCALE: 1:1 | SHEET: 1/1 | REV.: B | CUSTOMER DRAWING |