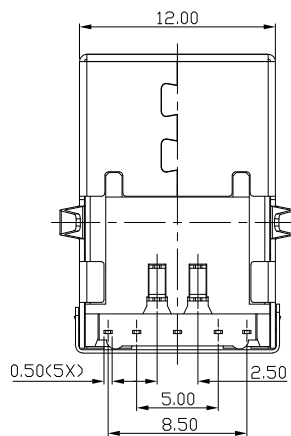
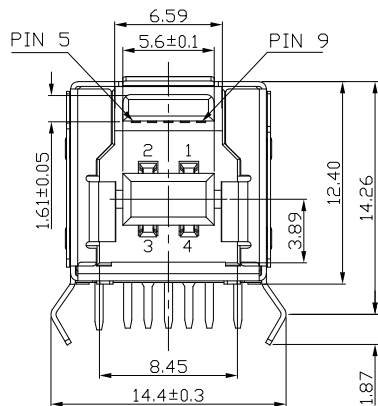
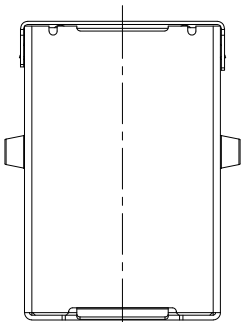


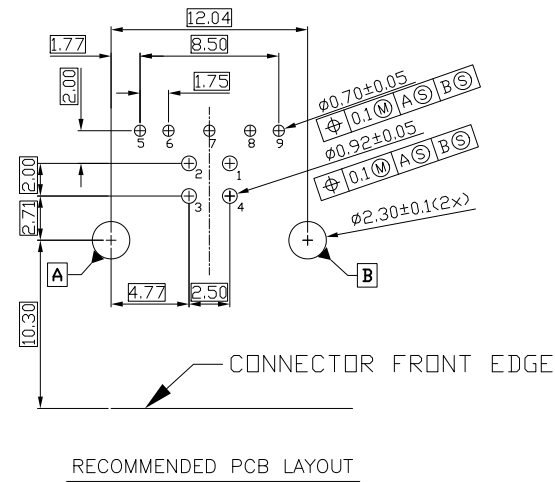
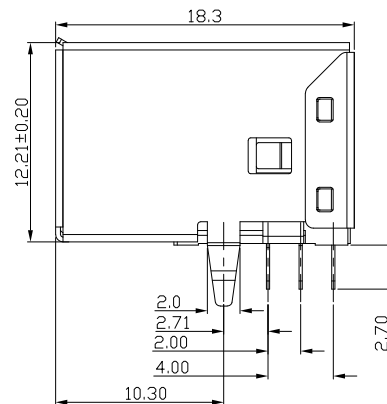


RoHS  
Compliant  
2002/95/EC

Halogen Free



| PIN NUMBER | SIGNAL NAME |
|------------|-------------|
| 1          | VBUS        |
| 2          | D-          |
| 3          | D+          |
| 4          | GND         |
| 5          | STDB_SSTX-  |
| 6          | STDB_SSTX+  |
| 7          | GND_DRAIN   |
| 8          | STDB_SSRX-  |
| 9          | STDB_SSRX+  |
| Shell      | Shield      |



NOTES:

- ELECTRICAL:
  - CURRENT RATING:1.5AMP.
  - INSULATION RESISTANCE: 100MΩ MIN;
  - CONTACT RESISTANCE: 30mΩ MAX;
  - WITHSTANDING VOLTAGE: 100V AC;
  - OPERATING TEMPERATURE:-40°C TO +85°C.
- Mechanical:
  - Mating Force: 35N MAX
  - Unmating Force: 10N MIN.
- DIMENSIONS MARKED "▼"  
TO BE CHECKED BY Q.C & IPQC.

4. PART NO.

USBF-09\*N-4BLRC14

- w:WHITE
  - B:BLACK
  - BL:BLUE
- 1:1PBT
  - 2:PA6T
  - 3:PA9T
  - 4:PC
- 1:Au 1U"
  - 5:Au 15U"
  - 6:Au 30U"

Bill of materials:

| NO    | PARTS        | MATERIAL          | QTY | FINISHING       | X. ±0.35                                                                                                                                                                                          | X.' ±2'          | UNITS  | mm       | 雅安科技有限公司<br>ACCURATE INNOTECH INC.                                                                                                               |  |  |  |
|-------|--------------|-------------------|-----|-----------------|---------------------------------------------------------------------------------------------------------------------------------------------------------------------------------------------------|------------------|--------|----------|--------------------------------------------------------------------------------------------------------------------------------------------------|--|--|--|
| 5     | HOUSING      | LCP+30%GF         | 1   | UL94V-0         | .X ±0.35                                                                                                                                                                                          | .X' ±2'          | UNITS  | mm       | TITLE: USB3.0 BF 90° DIP 弯脚 H12.4<br>PART NO.: USBF-09XN-4BLRC14<br>DR: Ricky 2019/02/15<br>DWG NO.: AII-RC14<br>CHKD: Ricky 2019/02/15<br>APPD: |  |  |  |
| 4     | BACK COVER   | COPPER ALLOY/SPCC | 1   | PLATED NICKEL   | .X ±0.3                                                                                                                                                                                           | .X' ±1'          | MAT'L  | SEE NOTE |                                                                                                                                                  |  |  |  |
| 3     | SHELL        | COPPER ALLOY      | 1   | PLATED NICKEL   | .XX ±0.25                                                                                                                                                                                         | .XX'             | FINISH | SEE NOTE |                                                                                                                                                  |  |  |  |
| 2     | TERMINAL(4P) | COPPER ALLOY      | 4   | PLATED GOLD/TIN | .XXX ±0.15                                                                                                                                                                                        | .XXX'            | Q'TY   | SEE NOTE |                                                                                                                                                  |  |  |  |
| 1     | TERMINAL(5P) | COPPER ALLOY      | 5   | PLATED GOLD/TIN | THESE DRAWINGS AND SPECIFICATIONS ARE THE PROPERTY OF ACCURATE INNOTECH INC AND SHALL NOT BE REPRODUCED, COPIED OR USED IN ANY MANNER WITHOUT THE PRIOR WRITTEN CONSENT OF ACCURATE INNOTECH INC. |                  |        |          |                                                                                                                                                  |  |  |  |
| SCALE | 1:1          | SHEET             | 1/1 | REV.            | B                                                                                                                                                                                                 | CUSTOMER DRAWING |        |          |                                                                                                                                                  |  |  |  |

| REV. | ECN. | NO. | APPD. |
|------|------|-----|-------|
|      |      |     |       |
|      |      |     |       |
|      |      |     |       |