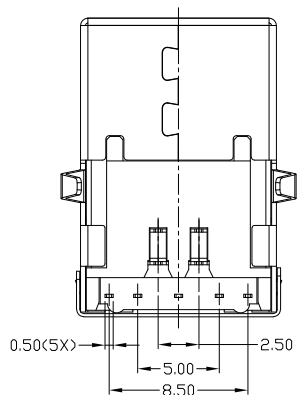
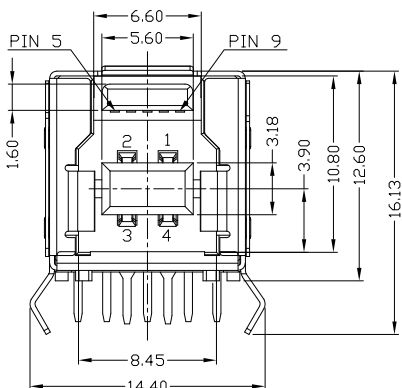
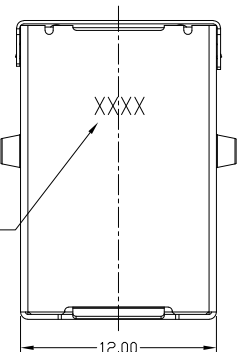




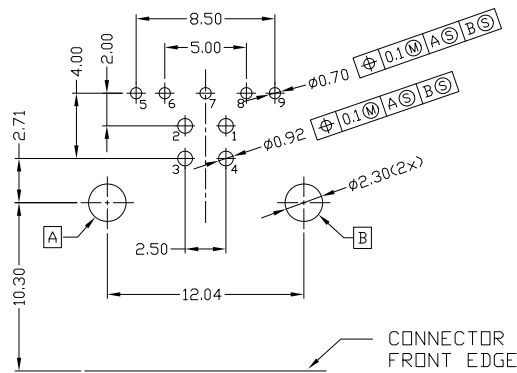
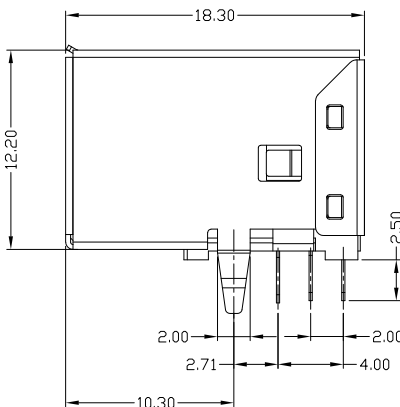
RoHS  
Compliant  
2002/95/EC

Halogen Free

冲字内容,  
依料号选择



PIN NUMBER	SIGNAL NAME
1	VBUS
2	D-
3	D+
4	GND
5	STDB_SSTX-
6	STDB_SSTX+
7	GND_DRAIN
8	STDB_SSRX-
9	STDB_SSRX+
Shell	Shield



RECOMMENDED PCB LAYOUT

NOTES:

1. ELECTRICAL:

- 1) CURRENT RATING:1.5AMP;
- 2) INSULATION RESISTANCE: 100MΩ MIN;
- 3) CONTACT RESISTANCE: 30mΩ MAX;
- 4) WITHSTANDING VOLTAGE: 100V AC;
- 5) OPERATING TEMPERATURE:-40℃ ~ +85℃.

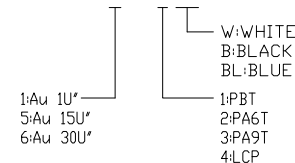
2. Mechanical:

- 1) Mating Force: 35N MAX
- 2) Unmating Force: 10N MIN.

3. DIMENSIONS MARKED "▼" TO BE CHECKED BY Q.C & IPQC.

4. PART NO.

USBF-09\*N-4BLRC15



Bill of materials:

NO	PARTS	MATERIAL	QTY	FINISHING
5	HOUSING	LCP+30%GF	1	UL94V-0
4	BACK COVER	COPPER ALLOY/SPCC	1	PLATED NICKEL
3	SHELL	COPPER ALLOY	1	PLATED NICKEL
2	TERMINAL(4P)	COPPER ALLOY	4	PLATED GOLD/TIN
1	TERMINAL(5P)	COPPER ALLOY	5	PLATED GOLD/TIN

UNITS	雅安科技有限公司 ACCURATE INNOTECH INC.			
mm	TITLE: USB3.0 BF 90° DIP 弯脚 H12.6 成品图		PART NO.: USBF-09*N-4BLRC15	
MAT'L	DR: gan 2017/01/09		DWG NO.: AII-RC15	
SEE NOTE	CHKD: gan 2017/01/09		SCALE SHEET REV. CUSTOMER 1:1 1/1 B DRAWING	
FINISH	APPD:			
SEE NOTE				
Q'TY				

THESE DRAWINGS AND SPECIFICATIONS ARE THE PROPERTY OF ACCURATE INNOTECH INC. AND SHALL NOT BE REPRODUCED, COPIED OR USED IN ANY MANNER WITHOUT THE PRIOR WRITTEN CONSENT OF ACCURATE INNOTECH INC.

