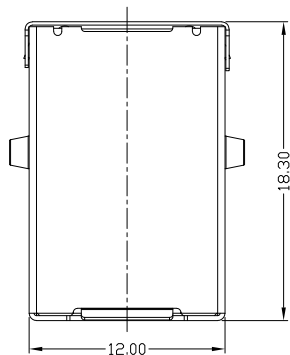




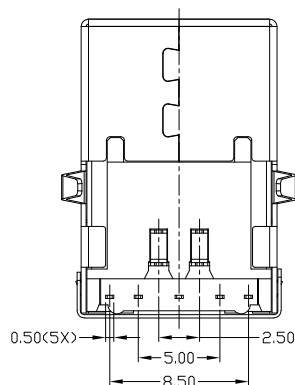
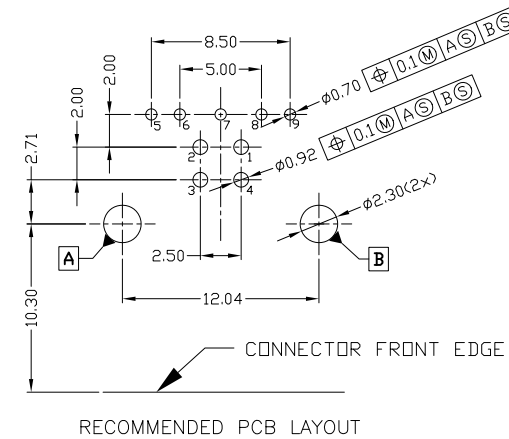
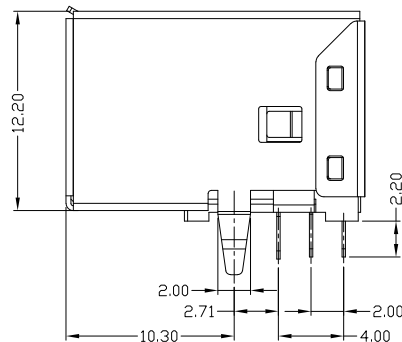
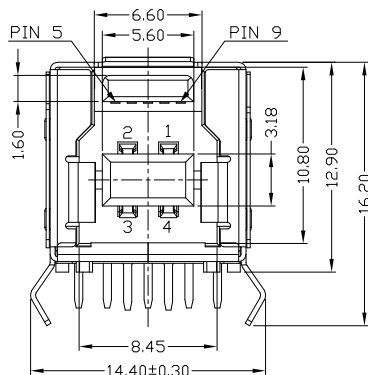
RoHS Compliant
2002/95/EC

Halogen Free



PIN NUMBER	SIGNAL NAME
1	VBUS
2	D-
3	D+
4	GND
5	STDB_SSTX-
6	STDB_SSTX+
7	GND_DRAIN
8	STDB_SSRX-
9	STDB_SSRX+
Shell	Shield

REV.	ECN. NO.	APPD.



NOTES:

- ELECTRICAL:
 - CURRENT RATING:1.5AMP;
 - INSULATION RESISTANCE: 100MΩ MIN;
 - CONTACT RESISTANCE: 30mΩ MAX;
 - WITHSTANDING VOLTAGE: 100V AC;
 - OPERATING TEMPERATURE:-40°C ~ +85°C.
- Mechanical:
 - Mating Force: 35N MAX
 - Unmating Force: 10N MIN.
- DIMENSIONS MARKED "▼" TO BE CHECKED BY Q.C & IPQC.

4. PART NO.

USBF-09*N-4BLRC16

1:1U"
5:15U"
6:30U"

W:WHITE
B:BLACK
BL:BLUE
1:PBT
2:PA6T
3:PA9T
4:LCP

Bill of materials:

NO	PARTS	MATERIAL	QTY	FINISHING	X. ±0.35 X.' ±2'		UNITS	雅安科技有限公司 ACCURATE INNOTECH INC.			
5	HOUSING	LCP+30%GF	1	UL94V-0	X. ±0.35	X.' ±2'	mm	TITLE: USB 3.0 BF DIP 90度 弯脚 PART NO.: USBF-09*N-4BLRC16 DR: gan 2016/08/30 DWG NO.: AII-RC16 CHKD: gan 2016/08/30 APPD:			
4	BACK COVER	COPPER ALLOY/SPCC	1	PLATED NICKEL	.X ±0.3	.X' ±1'	MAT'L				
3	SHELL	COPPER ALLOY	1	PLATED NICKEL	.XX ±0.25	.XX'	SEE NOTE				
2	TERMINAL(4P)	COPPER ALLOY	4	PLATED GOLD/TIN	.XXX ±0.15	.XXX'	FINISH				
1	TERMINAL(5P)	COPPER ALLOY	5	PLATED GOLD/TIN			SEE NOTE				
NO	PARTS	MATERIAL	QTY	FINISHING	THESE DRAWINGS AND SPECIFICATIONS ARE THE PROPERTY OF ACCURATE INNOTECH INC AND SHALL NOT BE REPRODUCED, COPIED OR USED IN ANY MANNER WITHOUT THE PRIOR WRITTEN CONSENT OF ACCURATE INNOTECH INC.		Q'TY	SCALE: 1:1 SHEET: 1/1 REV.: B CUSTOMER DRAWING			