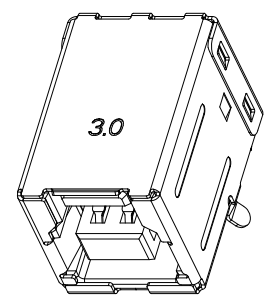
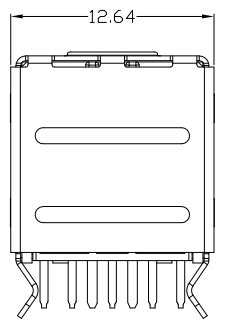
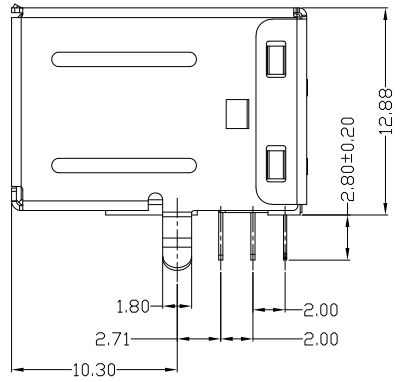
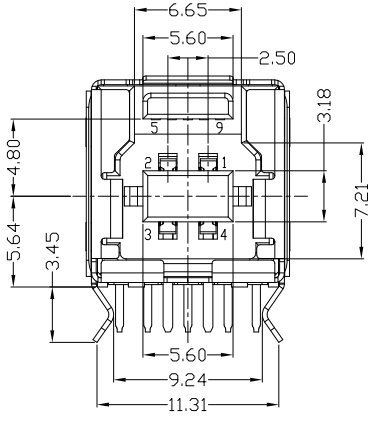


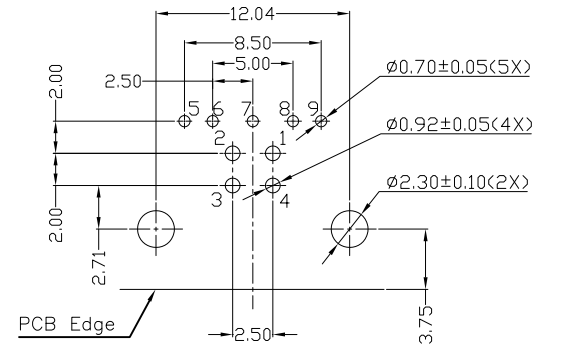
PIN NUMBER	SIGNAL NAME
1	VBUS
2	D-
3	D+
4	GND
5	STDB_SSTX-
6	STDB_SSTX+
7	GND_DRAIN
8	STDB_SSRX-
9	STDB_SSRX+
Shell	Shield



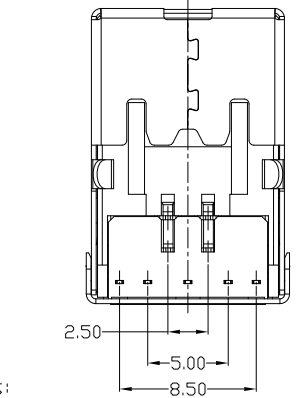
3D VIEW



REV	LTR	DESCRIPTION	DATE	REVISER	APPD



RECOMMENDED PCB LAYOUT(T=1.00~1.60mm)
COMPONENT SIDE



NOTES:
 1.ELECTRICAL:
 1)CURRENT RATING: 1.5AMP.
 2)INSULATION RESISTANCE: 1000MΩ MIN;
 3)CONTACT RESISTANCE: 30mΩ MAX;
 4)WITHSTANDING VOLTAGE: 500V AC;
 5)OPERATING TEMPERATURE: -40°C TO +85°C.
 2.Mechanical:
 1)Mating Force: 35N MAX
 2)Unmating Force: 10N MIN.
 3.DIMENSIONS MARKED " " TO BE CHECKED BY Q.C & IPQC.

4.PART NO.
 USBF-091N-4BLRU35
 W:WHITE
 B:BLACK
 BL:BLUE
 1:PB
 2:PA6T
 3:PA9T
 4:LCP
 1:Au 1U"
 5:Au 15U"
 6:Au 30U"

Bill of materials:

NO	PARTS	MATERIAL	QTY	FINISHING	UNITS	mm
4	HOUSING	LCP+30%GF	1	UL94V-0	X. ±0.35	X.' ±2'
3	SHELL	COPPER ALLOY	1	PLATED NICKEL	.X ±0.3	.X' ±1'
2	TERMINAL(4P)	COPPER ALLOY	4	PLATED GOLD/TIN	.XX ±0.25	.XX'
1	TERMINAL(5P)	COPPER ALLOY	5	PLATED GOLD/TIN	.XXX ±0.15	.XXX'
NO	PARTS	MATERIAL	QTY	FINISHING	THESE DRAWINGS AND SPECIFICATIONS ARE THE PROPERTY OF ACCURATE INNOTECH INC AND SHALL NOT BE REPRODUCED, COPIED OR USED IN ANY MANNER WITHOUT THE PRIOR WRITTEN CONSENT OF ACCURATE INNOTECH INC	

雅安科技有限公司
ACCURATE INNOTECH INC.

TITLE: USB3.0 BF 90° DIP 内弯脚 H12.9
 PART NO.: USBF-091N-4BLRU35
 DR: Ricky 2019/2/15
 DWG NO.: AII-RU35
 CHKD: Ricky 2019/2/15
 APPD:

SCALE	SHEET	REV.	CUSTOMER DRAWING
1:1	1/1	B	