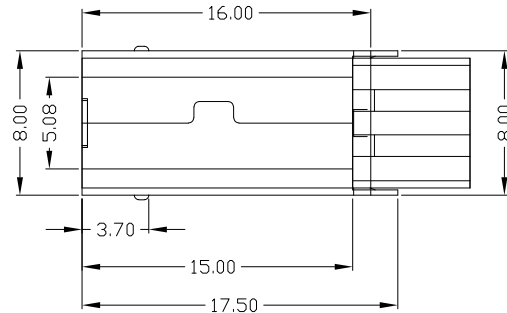
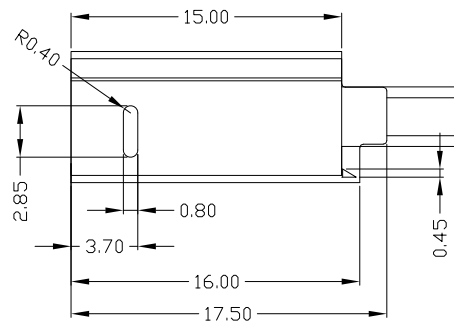
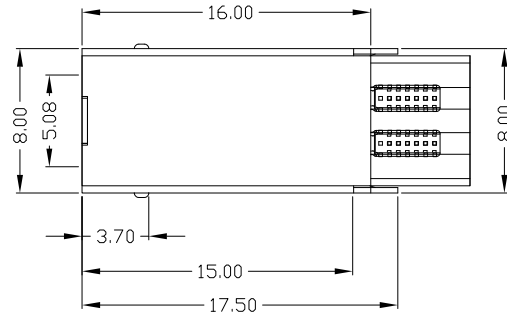
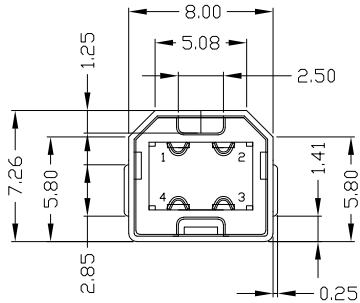




RoHS
Compliant
2002/95/EC

REV.	ECN.	NO.	APPD.



NOTES:

- ELECTRICAL:
 - VOLTAGE CURRENT RATING: 2AMP, 30V AC;
 - INSULATION RESISTANCE: 1000MΩMIN;
 - CONTACT RESISTANCE: 30mΩMAX;
 - WITHSTANDING VOLTAGE: 500V AC;
 - OPERATING TEMPERATURE: -55°C TO +85°C.
- Mechanical:
 - Mating Force: 35N MAX
 - Unmating Force: 10N MIN.
- NOTE: 1. DIMENSIONS MARKED "▼" TO BE CHECKED BY Q.C & IPQC.
- PART NO.

USBM-041N-1*SH33

1: Au 1U*
6: Au 30U*
W: WHITE
B: BLACK
1: PBT
2: PA6T
3: PA9T
4: LCP

Bill of materials:

NO	PARTS	MATERIAL	QTY	FINISHING	UNITS	mm	雅安科技有限公司 ACCURATE INNOTECH INC.						
3	HOUSING	PBT+30%GF	1	UL94V-0	.X	±0.35	.X*	±2*	SEE NOTE	TITLE:	PART NO.:		
2	SHELL	SPCC-SD	1	PLATED NICKEL	.XX	±0.25	.XX*	SEE NOTE		USB BM 焊线短体一体式	USBM-04*N-1*SH33		
1	TERMINAL	COPPER ALLOY	4	PLATED GOLD/TIN	.XXX	±0.15	.XXX*			DR: Ricky 2022/3/28	DWG NO.:	AII-SH33	
					Q'TY	THESE DRAWINGS AND SPECIFICATIONS ARE THE PROPERTY OF ACCURATE INNOTECH INC AND SHALL NOT BE REPRODUCED, COPIED OR USED IN ANY MANNER WITHOUT THE PRIOR WRITTEN CONSENT OF ACCURATE INNOTECH INC.		CHKD: Ricky 2022/3/28	APPD:	SCALE	SHEET	REV.	CUSTOMER DRAWING
										1:1	1/1	B	