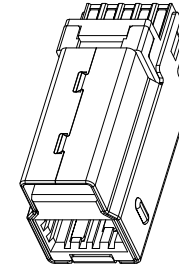
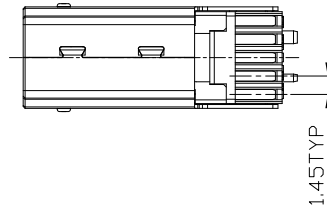


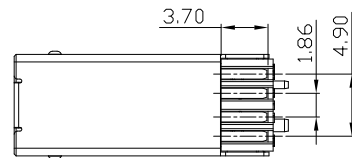
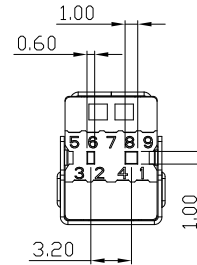
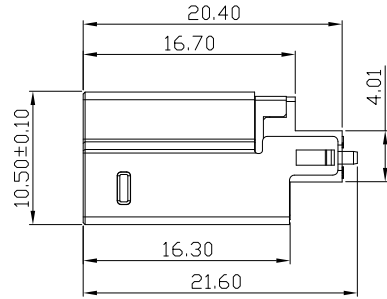
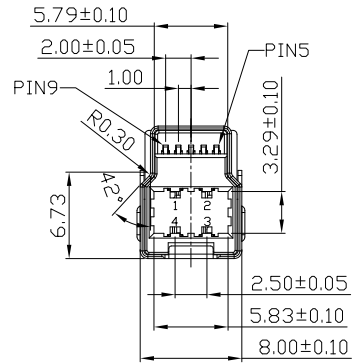


RoHS  
Compliant  
2002/95/EC

REV	LTR	DESCRIPTION	DATE	REVISER	APPD



1.45TYP



NOTES:

1.ELECTRICAL:

- 1)VOLTAGE CURRENT RATING:1.8AMP(PIN1 AND PIN4 OF) 0.25AMP(ALL OTHERS),30V AC;
- 2)INSULATION RESISTANCE: 100MΩ MIN;
- 3)CONTACT RESISTANCE: 30mΩ MAX.  
FOR VBUS AND GND CONTACTS (PIN1, PIN4,PIN7) ;  
50mΩ MAX. FOR ALL OTHER CONTACTS
- 4)WITHSTANDING VOLTAGE: 100V(RMS) AC;
- 5)OPERATING TEMPERATURE:-55°C TO +85°C.

2.Mechanical:

- 1)Mating Force: 35N MAX.
- 2)Unmating Force: 10N MIN.  
8N Min After Durability.

3.DIMENSIONS MARKED "▼"

TO BE CHECKED BY Q.C & IPQC.

4. PART NO.

USBM-09\*N-1BLSU34

1: Au 1U"  
5: Au 15U"  
6: Au 30U"

W: WHITE  
B: BLACK  
BL: BLUE

1:PBT  
2:PA6T  
3:PA9T  
4:PC

Bill of materials:

NO	PARTS	MATERIAL	QTY	FINISHING	.X ±0.38	X.* ±3*	UNITS
5					.X ±0.38	X.* ±3*	mm
4	HOUSING	PBT+30%GF	1	UL94V-0	.XX ±0.25	.X* ±3*	MAT'L
3	SHELL	SPCC	1	PLATED NICKEL	.XXX ±0.20	.XX* ±3*	SEE NOTE
2	TERMINAL(4P)	COPPER ALLOY	4	PLATED GOLD/TIN			FINISH
1	TERMINAL(5P)	COPPER ALLOY	5	PLATED GOLD/TIN			SEE NOTE
							Q'TY

THESE DRAWINGS AND SPECIFICATIONS ARE THE PROPERTY OF ACCURATE INNOTECH INC. AND SHALL NOT BE REPRODUCED, COPIED OR USED IN ANY MANNER WITHOUT THE PRIOR WRITTEN CONSENT OF ACCURATE INNOTECH INC.

雅安科技有限公司 ACCURATE INNOTECH INC.			
TITLE: USB 3.0 BM 短体 手工焊线款 一件式		PART NO.: USBM-09XN-1BLSU34	
DR: Ricky 2019/08/26		DWG NO.: AII-SU34	
CHKD: Ricky 2019/08/26		SCALE	SHEET
APPD:		1:1	1/1
		REV.	CUSTOMER
		B	DRAWING