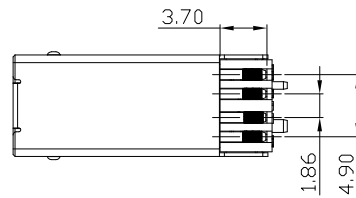
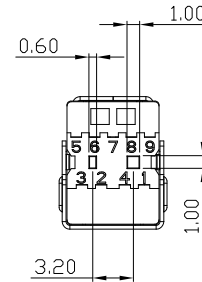
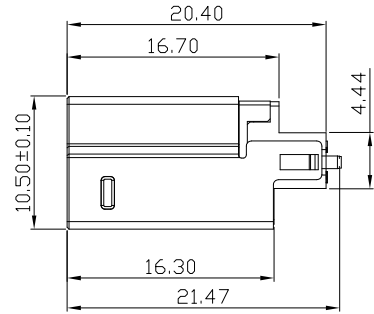
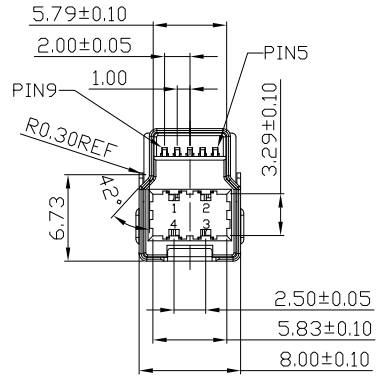
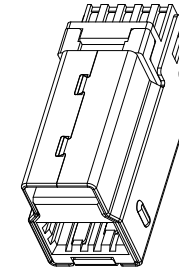
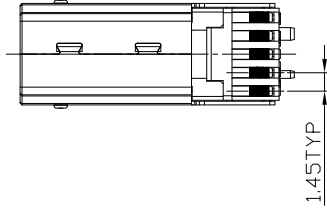




RoHS
Compliant
2002/95/EC

| REV | LTR | DESCRIPTION | DATE | REVISER | APPD |
|-----|-----|-------------|------|---------|------|
| | | | | | |



NOTES:

- ELECTRICAL:
 - VOLTAGE CURRENT RATING: 1.8AMP (PIN1 AND PIN4 OF) 0.25AMP (ALL OTHERS), 30V AC;
 - INSULATION RESISTANCE: 100MΩ MIN;
 - CONTACT RESISTANCE: 30mΩ MAX. FOR VBUS AND GND CONTACTS (PIN1, PIN4, PIN7); 50mΩ MAX. FOR ALL OTHER CONTACTS
 - WITHSTANDING VOLTAGE: 100V (RMS) AC;
 - OPERATING TEMPERATURE: -55°C TO +85°C.
- Mechanical:
 - Mating Force: 35N MAX.
 - Unmating Force: 10N MIN. 8N Min After Durability.
- DIMENSIONS MARKED "▼" TO BE CHECKED BY Q.C & IPQC.

4. PART NO.

USBM-09*N-1BLSU35

1: Au 1U"
5: Au 15U"
6: Au 30U"

W: WHITE
B: BLACK
BL: BLUE

1: PBT
2: PA6T
3: PA9T
4: LCP

Bill of materials:

| NO | PARTS | MATERIAL | QTY | FINISHING |
|----|--------------|--------------|-----|-----------------------------------|
| 5 | | | | .X ±0.38 X.* ±3* |
| 4 | HOUSING | PBT+30%GF | 1 | UL94V-0 .XX ±0.25 .X* ±3* |
| 3 | SHELL | SPCC | 1 | PLATED NICKEL .XXX ±0.20 .XX* ±3* |
| 2 | TERMINAL(4P) | COPPER ALLOY | 4 | PLATED GOLD/TIN |
| 1 | TERMINAL(5P) | COPPER ALLOY | 5 | PLATED GOLD/TIN |

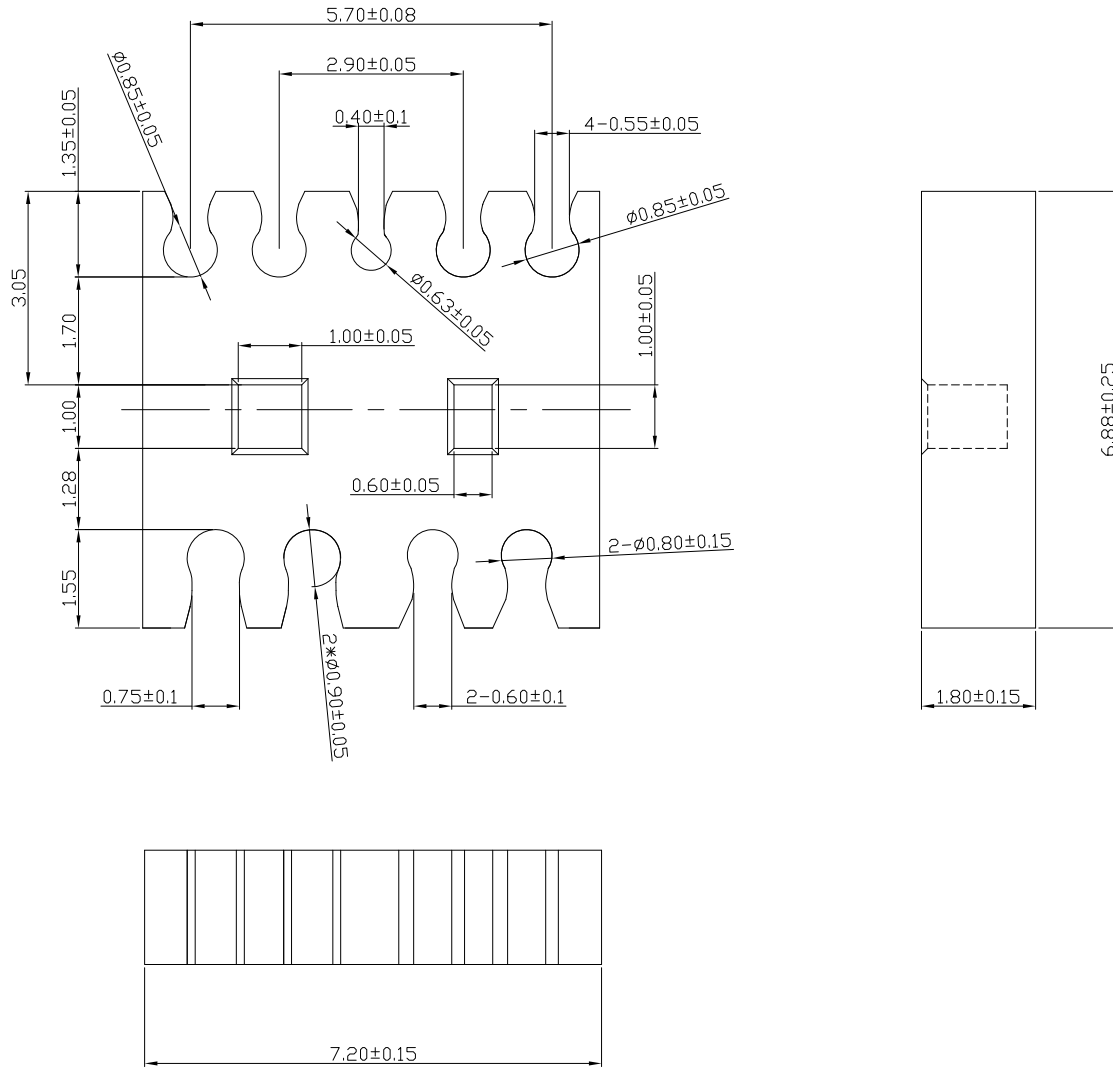
| | | | |
|----------|--|------------------------------------|-----------------------------------|
| UNITS mm | | 雅安科技有限公司 ACCURATE INNOTECH INC. | |
| MAT'L | | | |
| SEE NOTE | | TITLE: USB 3.0 BM 短体 自动焊线款 一件式 | PART NO.: USBM-09XN-1BLSU35 |
| FINISH | | DR: Ricky 2019/08/26 | DWG NO.: AII-SU35 |
| SEE NOTE | | CHKD: Ricky 2019/08/26 | SCALE SHEET REV. CUSTOMER DRAWING |
| Q'TY | | APPD: | 1:1 1/1 B |

THESE DRAWINGS AND SPECIFICATIONS ARE THE PROPERTY OF ACCURATE INNOTECH INC. AND SHALL NOT BE REPRODUCED, COPIED OR USED IN ANY MANNER WITHOUT THE PRIOR WRITTEN CONSENT OF ACCURATE INNOTECH INC.



RoHS
Compliant
2002/95/EC

| REV | LTR | DESCRIPTION | DATE | REVISER | APPD |
|-----|-----|-------------|------|---------|------|
| | | | | | |



NOTES:

- 品质要求事项
1) 最大毛边不可超0.03mm ;
2) 最大扭曲变形不可超过0.05mm ;
3) 未标示之R角以0.15mm处理，
未标示之倒角以 0.15mm处理;
- DIMENSIONS MARKED "▼"
TO BE CHECKED BY Q.C & IPQC.

3. PART NO.

USBM-09XN-6BSU30-CA

B: BLACK
6PA66

Bill of materials:

| NO | PARTS | MATERIAL | QTY | FINISHING |
|----|-------------|------------|-----|---------------------|
| 5 | | | | .X ±0.38 X.* ±3' |
| 4 | | | | .XX ±0.25 .X' ±3' |
| 3 | | | | .XXX ±0.20 .XX' ±3' |
| 2 | | | | |
| 1 | CABLE CLAMP | PA66+30%GF | 1 | UL94V-0 |

| 雅安科技有限公司 ACCURATE INNOTECH INC. | | | |
|------------------------------------|--|-------------------------------|------------------|
| TITL: USB 3.0 BM 28#24# E款理线夹 | | PART NO.: USBM-09XN-6BSU30-CA | |
| DR: Ricky 2019/08/26 | | DWG NO.: AII-SU30-CA | |
| CHKD: Ricky 2019/08/26 | | SCALE: 1:1 | SHEET: 1/1 |
| APPD: | | REV.: B | CUSTOMER DRAWING |

THESE DRAWINGS AND SPECIFICATIONS ARE THE PROPERTY OF ACCURATE INNOTECH INC AND SHALL NOT BE REPRODUCED, COPIED OR USED IN ANY MANNER WITHOUT THE PRIOR WRITTEN CONSENT OF ACCURATE INNOTECH INC

