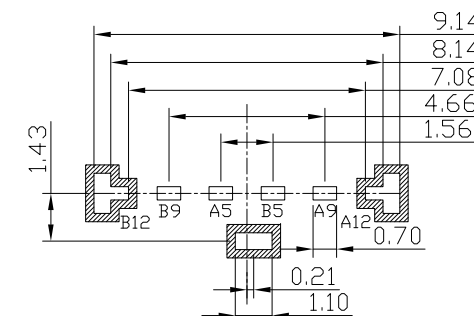
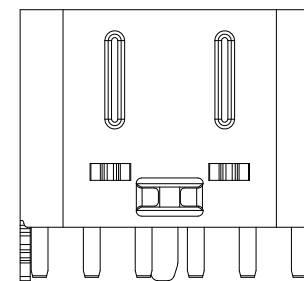
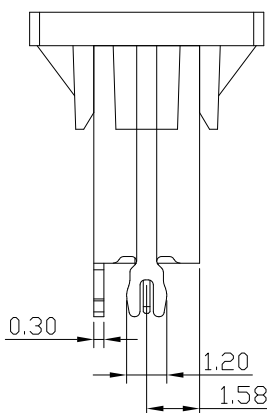
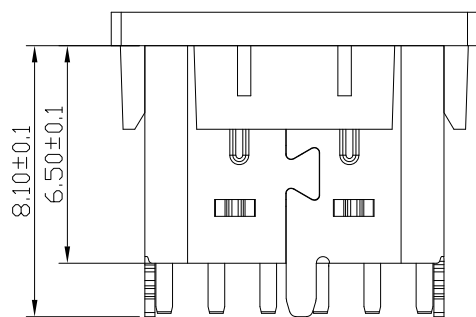
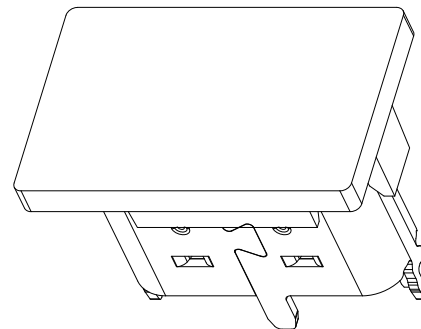
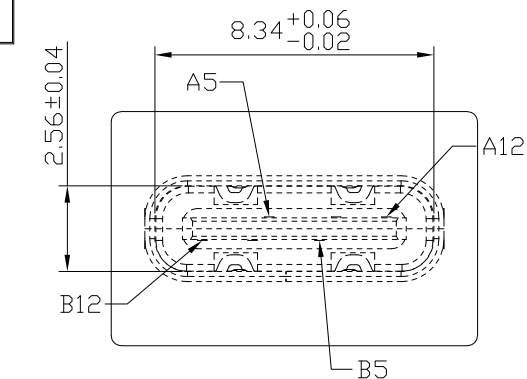




RoHS  
Compliant  
2002/95/EC

REV.	ECN.	NO.	APPD.



RECOMMENDED P.C.B. LAYOUT  
TOLERANCE UNSPECIFIED ±0.05mm

NOTES:

1.ELECTRICAL:

- 1)CURRENT RATING: 5A FOR VBUS;  
1.25A FOR GND PIN. 0.25A FOR OTHER. 20 V MAX.
- 2)INSULATION RESISTANCE: 100MΩ MIN;
- 3)CONTACT RESISTANCE: 40mΩ MAX;
- 4)WITHSTANDING VOLTAGE: 100V AC. R.M.S.
- 5)OPERATING TEMPERATURE:-25°C TO +85°C.

2.Mechanical:

- 1)Mating Force: 5N~20N
- 2)Unmating Force: 8N~20N AFTER TEST.
- 3)Durability: 10,000 cycles

3.DIMENSIONS MARKED "▼"  
TO BE CHECKED BY Q.C & IPQC.

USCF-061N-4BPG504

- 1: Au 1U"
- 2: Au 3U"
- 5: Au 15U"
- 6: Au 30U"
- W: WHITE
- B: BLACK
- 1: PBT
- 2: PA6T
- 3: PA9T
- 4: LCP

B12	GND
B9	VBUS
B5	CC2
A5	CC1
A9	VBUS
A12	GND
PIN	SIGNAL NAME

Bill of materials:

4	CAP	LCP+30%GF	1	UL94V-0
3	SHELL	STAINLESS STEEL	1	PLATED NICKEL
2	CONTACT	COPPER ALLOY	6	PLATED GOLD/TIN
1	MOLDING	LCP+30%GF	1	UL94V-0
NO	PARTS	MATERIAL	QTY	FINISHING

TOLERANCES		UNITS
X.	±0.50	X.* ±2°
.X	±0.20	.X.* ±1°
.XX	±0.10	
THESE DRAWINGS AND SPECIFICATIONS ARE THE PROPERTY OF ACCURATE INNOTECH INC. AND SHALL NOT BE REPRODUCED, COPIED OR USED IN ANY MANNER WITHOUT THE PRIOR WRITTEN CONSENT OF ACCURATE INNOTECH INC.		mm
MATERIAL		SEE NOTE
FINISH		SEE NOTE
Q'TY		

雅安科技有限公司 ACCURATE INNOTECH INC.			
TITLE: USB TYPE CF 6P单排 180度插板 H=6.5		PART NO.: USCF-06XN-4BPG504	
DR: Ricky 2021/06/29		DWG NO.: AII-PG504	
CHKD: Ricky 2021/06/29		SCALE	SHEET
APPD:		1:1	1/1
		REV.	CUSTOMER DRAWING
		B	