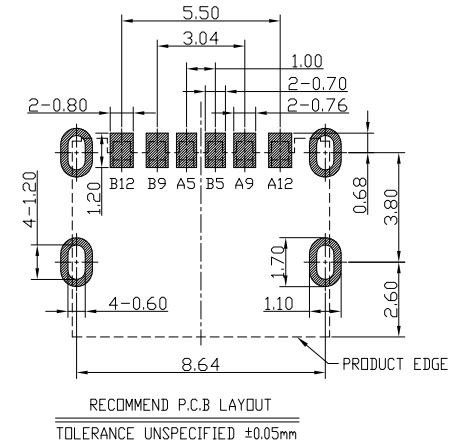
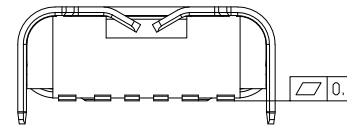
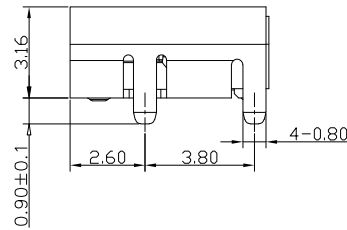
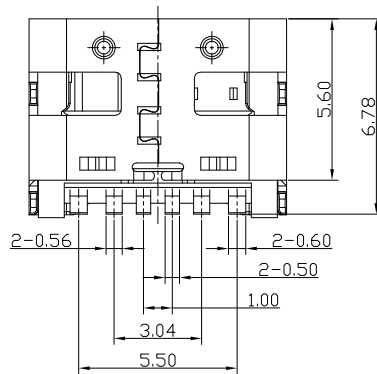
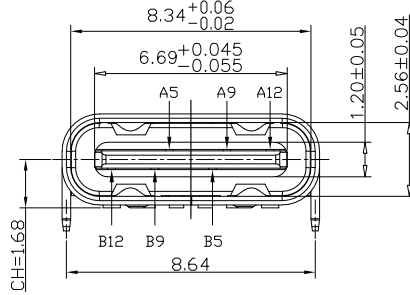
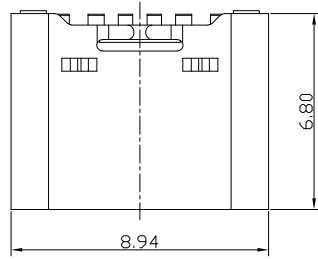




RoHS  
Compliant  
2002/95/EC

Halogen Free

| REV. | ECN. NO. | APPD. |
|------|----------|-------|
|      |          |       |
|      |          |       |



|     |             |
|-----|-------------|
| B12 | GND         |
| B9  | VBUS        |
| B5  | CC2         |
| A5  | CC1         |
| A9  | VBUS        |
| A12 | GND         |
| PIN | SIGNAL NAME |

|                 |                   |
|-----------------|-------------------|
| USCF-06XN-4BV82 | WITH MID PLATE    |
| USCF-06XN-4BV83 | WITHOUT MID PLATE |
| P/N:            | MATERIAL          |

- NOTES:
- 1.ELECTRICAL:
- CURRENT RATING: 3.0A MAX.
  - INSULATION RESISTANCE: 100MΩ MIN;
  - CONTACT RESISTANCE: 40mΩ MAX;
  - WITHSTANDING VOLTAGE: 100V AC.
  - OPERATING TEMPERATURE: -30°C TO +85°C.
- 2.Mechanical:
- Mating Force: 5N~20N
  - Unmating Force: 8N~20N
  - Durability: 10,000 cycles
- 3.DIMENSIONS MARKED "▼" TO BE CHECKED BY Q.C & IPQC.

4.PART NO.  
USCF-061N-4BV8X  
SEE CHART  
W-WHITE  
B-BLACK  
1PBT  
2PAGT  
3PA9T  
4LCP  
1Au 1U'  
2Au 3U'  
5Au 15U'  
6Au 30U'

|    |           |                 |     |                                 |            |          |          |    |
|----|-----------|-----------------|-----|---------------------------------|------------|----------|----------|----|
| 6  |           |                 |     |                                 | X.X ±0.30  | X.* ±5*  | UNITS    | mm |
| 5  |           |                 |     |                                 | .XX ±0.20  | .X.* ±2* | MAT'L    |    |
| 4  | HOUSING   | LCP+30%GF       | 1   | UL94V-0                         | .XXX ±0.10 |          | SEE NOTE |    |
| 3  | MID PLATE | STAINLESS STEEL | 1   | <b>ONLY FOR USCF-06XN-4BV82</b> |            |          | FINISH   |    |
| 2  | CONTACT   | COPPER ALLOY    | 6   | PLATED GOLD/TIN                 |            |          | SEE NOTE |    |
| 1  | SHELL     | STAINLESS STEEL | 1   | PLATED NICKEL                   |            |          | Q'TY     |    |
| NO | PARTS     | MATERIAL        | QTY | FINISHING                       |            |          |          |    |

THESE DRAWINGS AND SPECIFICATIONS ARE THE PROPERTY OF ACCURATE INNOTECH INC AND SHALL NOT BE REPRODUCED, COPIED OR USED IN ANY MANNER WITHOUT THE PRIOR WRITTEN CONSENT OF ACCURATE INNOTECH INC

|  |  |                                |                  |
|--|--|--------------------------------|------------------|
| 雅安科技有限公司<br>ACCURATE INNOTECH INC.           |  |                                |                  |
| TITLE:<br>USB TYPE CF 6P单排<br>SMT CONN 脚长0.9 |  | PART NO.:<br>USCF-06XN-4BV82~3 |                  |
| DR:<br>Ricky 2021/06/23                      |  | DWG NO.:<br>AII-V82~3          |                  |
| CHKD:<br>Ricky 2021/06/23                    |  | SCALE                          | SHEET            |
| APPD:  |  | 1:1                            | 1/1              |
|  |  | REV.                           | CUSTOMER DRAWING |
|  |  | B                              |                  |