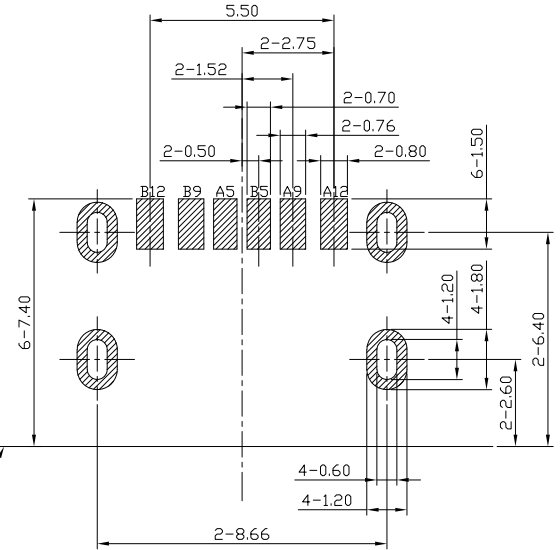
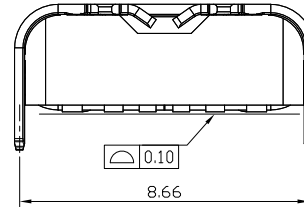
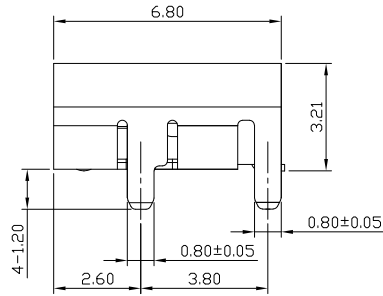
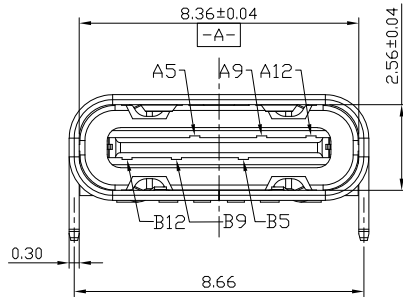
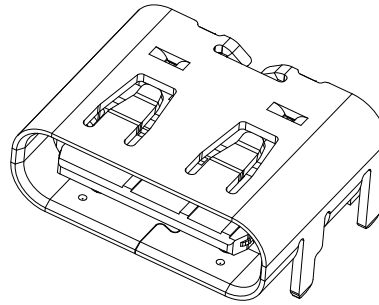
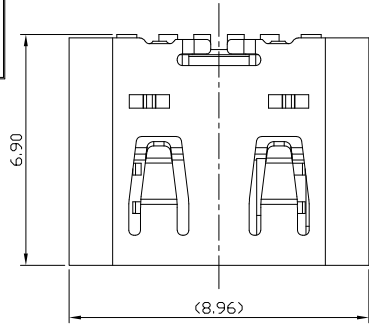


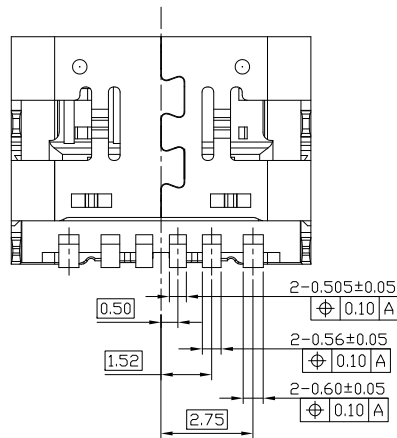


RoHS Compliant
2002/95/EC

REV.	ECN. NO.	APPD.



P.C.B LAYOUT VIEW TOLERANCE ±0.05



B12	GND
B9	VBUS
B5	CC2
A5	CC1
A9	VBUS
A12	GND
PIN	SIGNAL NAME

NOTES:

- 1.ELECTRICAL:
 1)CURRENT RATING: 3A MAX.
 2)INSULATION RESISTANCE: 100MΩ MIN;
 3)CONTACT RESISTANCE: 30mΩ MAX;
 4)WITHSTANDING VOLTAGE: 100V AC r.m.s
 5)OPERATING TEMPERATURE:-40°C TO +85°C.
- 2.Mechanical:
 1)Mating Force: 5N~20N
 2)Unmating Force: 8N~20N, AFTER TEST 6N~20N
 3)Durability: 10,000 cycles
- 3.DIMENSIONS MARKED "▼"
 TO BE CHECKED BY Q.C & IPQC.

- 4.PART NO.
 USCF-061N-4BVG30
- 1:Au 1U"
 2:Au 3U"
 5:Au 15U"
 6:Au 30U"
- W:WHITE
 B:BLACK
- 1:PBT
 2:PA6T
 3:PA9T
 4:LCP

Bill of materials:

5					X.	±0.50	Angle	±1°	UNITS	mm	雅安科技有限公司 ACCURATE INNOTECH INC. TITLE: USB TYPE CF 6P单排 SMT L=6.8 PART NO.: USCF-06XN-4BVG30 DR: Ricky 2022/05/23 DWG NO.: AII-VG30 CHKD: Ricky 2022/05/23 APPD:			
4	MID PLATE	STAINLESS STEEL	1	PLATED NICKEL	.X	±0.20			MAT'L					
3	SHELL	STAINLESS STEEL	1	PLATED NICKEL	.XX	±0.10			SEE NOTE					
2	TERMINAL	COPPER ALLOY	6	PLATED GOLD/TIN	.XXX	±0.03			SEE NOTE					
1	HOUSING	LCP+30%GF	1	UL94V-0					Q'TY					
NO	PARTS	MATERIAL	QTY	FINISHING	THESE DRAWINGS AND SPECIFICATIONS ARE THE PROPERTY OF ACCURATE INNOTECH AND SHALL NOT BE REPRODUCED, COPIED OR USED IN ANY MANNER WITHOUT THE PRIOR WRITTEN CONSENT OF ACCURATE INNOTECH INC.						SCALE	SHEET	REV.	CUSTOMER DRAWING
											1:1	1/1	B	