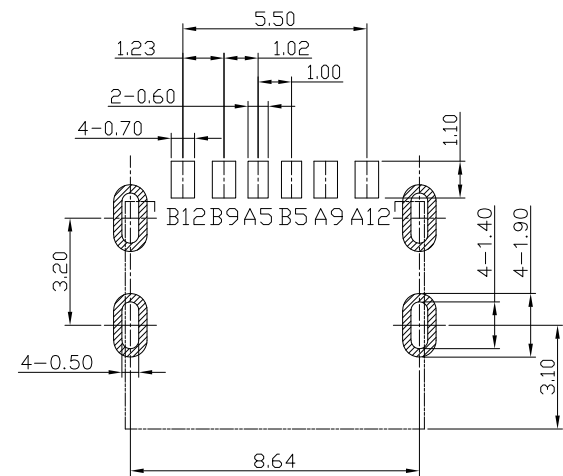
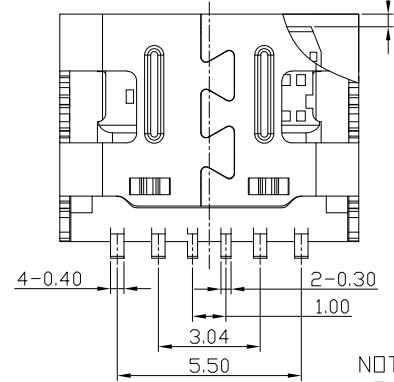
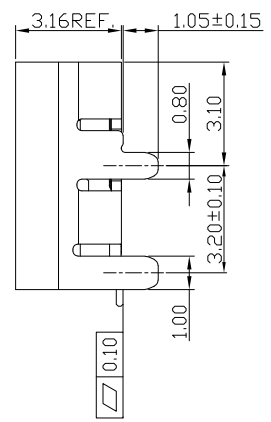
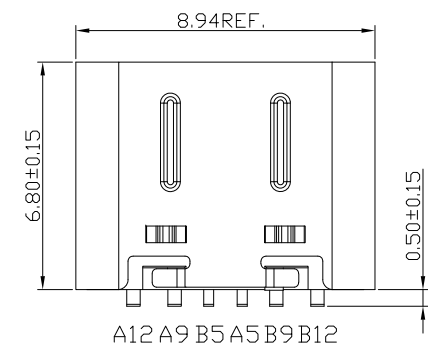
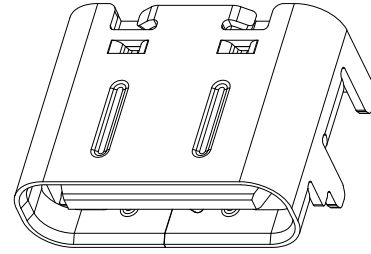
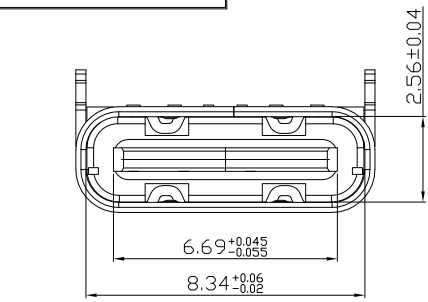


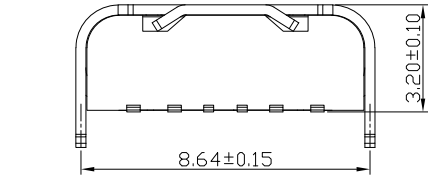


RoHS  
Compliant  
2002/95/EC

REV.	ECN. NO.	APPD.



RECOMMENDED P.C.B. LAYOUT



B12	GND
B9	VBUS
B5	CC2
A5	CC1
A9	VBUS
A12	GND
PIN	SIGNAL NAME

- NOTES:
- ELECTRICAL:
    - CURRENT RATING: 3A.
    - INSULATION RESISTANCE: 100MΩ MIN. 150V DC
    - CONTACT RESISTANCE: 40mΩ MAX.
    - WITHSTANDING VOLTAGE: 150V AC / 1mA MAX.
    - OPERATING TEMPERATURE: -40°C TO +85°C.
  - MECHANICAL:
    - MATING FORCE: 5N~20N
    - UNMATING FORCE: 8N~20N
    - DURABILITY: 10,000 CYCLES
  - DIMENSIONS MARKED "▼"  
TO BE CHECKED BY Q.C & IPQC.

USCF-061N-4BVG50

1:Au 1U"  
2:Au 3U"  
5:Au 15U"  
6:Au 30U"

W:WHITE  
B:BLACK

1:PBT  
2:PA6T  
3:PA9T  
4:LCP

Bill of materials:

4	HOOK	STAINLESS STEEL	1	
3	SHELL	STAINLESS STEEL	1	PLATED NICKEL
2	CONTACT	COPPER ALLOY	6	PLATED GOLD/TIN
1	MOLDING	LCP+30%GF	1	UL94V-0
NO	PARTS	MATERIAL	QTY	FINISHING

X	±0.5	X°	±2°	UNITS	mm
X.X	±0.25	X.X°	±1°	MAT'L	
X.XX	±0.15			SEE NOTE	
X.XXX	±0.10			FINISH	
				SEE NOTE	
				Q'TY	

雅安科技有限公司  
ACCURATE INNOTECH INC.

TITLE: USB TYPE CF 6P单排SMT 板上  
L=6.8 脚距3.2

PART NO.: USCF-06XN-4BVG50

DR: Ricky 2024/09/21

DWG NO.: AII-VG50

CHKD: Ricky 2024/09/21

APPD:

SCALE: 1:1 SHEET: 1/1 REV: B CUSTOMER DRAWING

THESE DRAWINGS AND SPECIFICATIONS ARE THE PROPERTY OF ACCURATE INNOTECH AND SHALL NOT BE REPRODUCED, COPIED OR USED IN ANY MANNER WITHOUT THE PRIOR WRITTEN CONSENT OF ACCURATE INNOTECH INC.