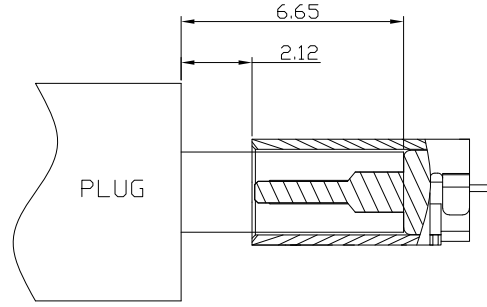
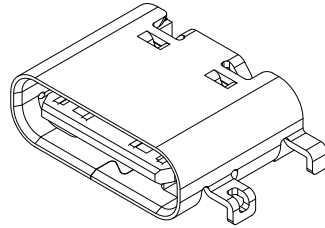
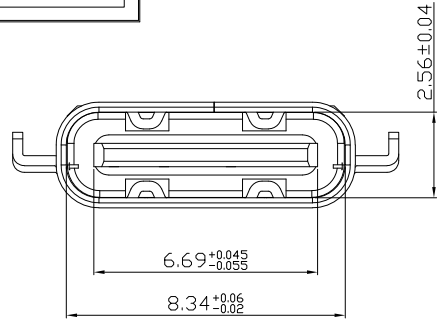


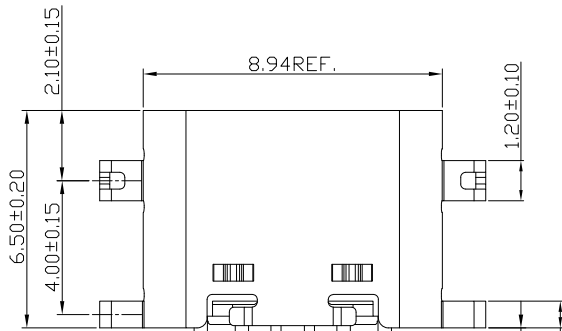


RoHS
Compliant
2002/95/EC

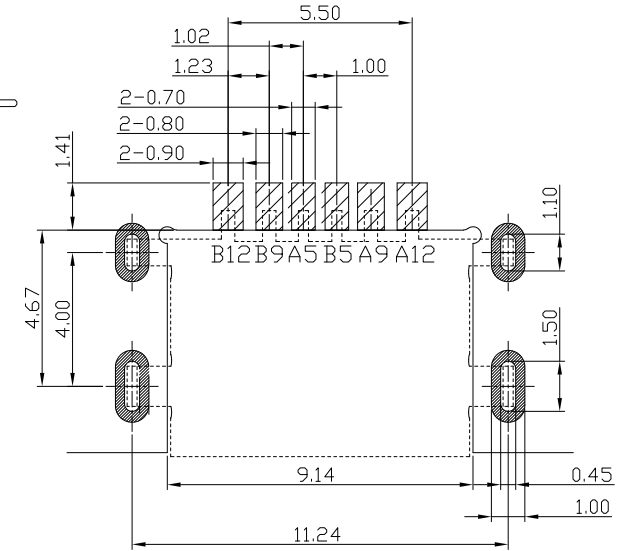
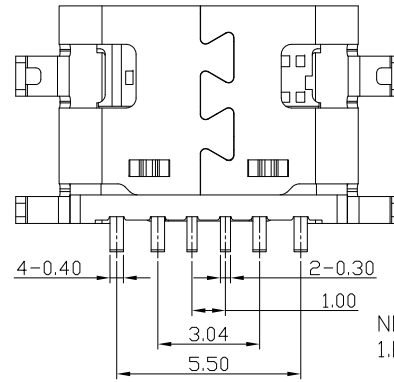
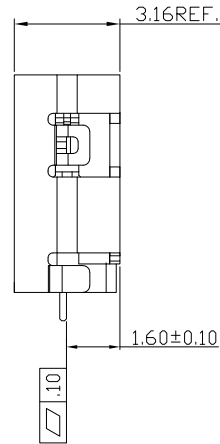
REV.	ECN.	NO.	APPD.



AFTER MATING



A12 A9 B5 A5 B9 B12



RECOMMENDED P.C.B. LAYOUT
TOLERANCE UNSPECIFIED ±0.05mm

B12	GND
B9	VBUS
B5	CC2
A5	CC1
A9	VBUS
A12	GND
PIN	SIGNAL NAME

NOTES:

1.ELECTRICAL:

- CURRENT RATING: 3A;
- INSULATION RESISTANCE: 100MΩ MIN;
- CONTACT RESISTANCE: 40mΩ MAX;
- WITHSTANDING VOLTAGE: 100V AC;
- OPERATING TEMPERATURE: -40°C TO +85°C.

2.MECHANICAL:

- MATING FORCE: 5N~20N
- UNMATING FORCE: 8N~20N(INITIAL);
6~20N (AFTER DURABILITY TEST);
- DURABILITY: 10,000 CYCLES

3.DIMENSIONS MARKED "▼"

TO BE CHECKED BY Q.C & IPQC.

USCF-061N-4BVG503

- 1:Au 1U"
2:Au 3U"
5:Au 15U"
6:Au 30U"
- W:WHITE
B:BLACK
- 1:PBT
2:PA6T
3:PA9T
4:LCP

Bill of materials:

4	MID PLATE	STAINLESS STEEL	1	
3	SHELL	STAINLESS STEEL	1	PLATED NICKEL
2	TERMINAL	COPPER ALLOY	6	PLATED GOLD/TIN
1	HOUSING & MOLDING	LCP+30%GF	1	UL94V-0
NO	PARTS	MATERIAL	QTY	FINISHING

X	±0.25	X*	±2°	UNITS	mm
X.X	±0.20			MAT'L	
X.XX	±0.15			SEE NOTE	
X.XXX	±0.10			FINISH	
				SEE NOTE	
				Q'TY	

雅安科技有限公司 ACCURATE INNOTECH INC.			
TITLE: USB TYPE CF 6P单排SMT 沉板1.6 L=6.5		PART NO.: USCF-06XN-4BVG503	
DR: Ricky 2024/11/08		DWG NO.: AII-VG503	
CHKD: Ricky 2024/11/08		SCALE	SHEET
APPD:		1:1	1/1
		REV.	CUSTOMER
		B	DRAWING

THESE DRAWINGS AND SPECIFICATIONS ARE THE PROPERTY OF ACCURATE INNOTECH AND SHALL NOT BE REPRODUCED, COPIED OR USED IN ANY MANNER WITHOUT THE PRIOR WRITTEN CONSENT OF ACCURATE INNOTECH INC.

