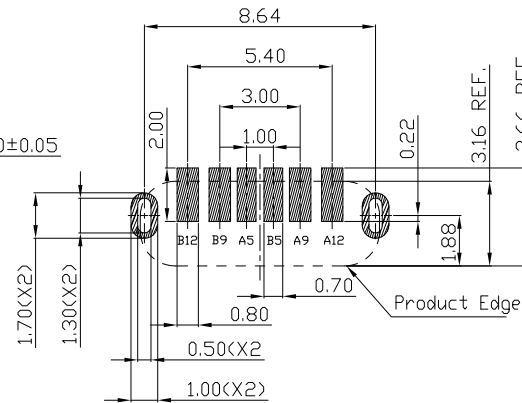
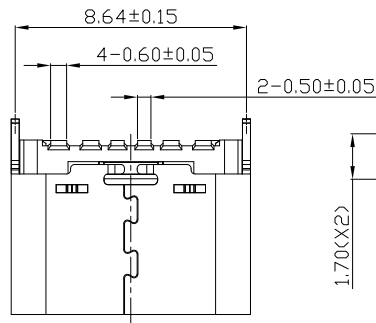
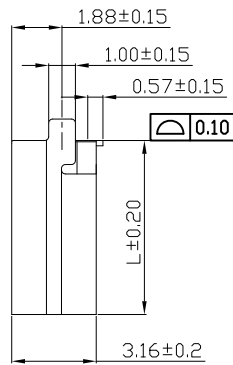
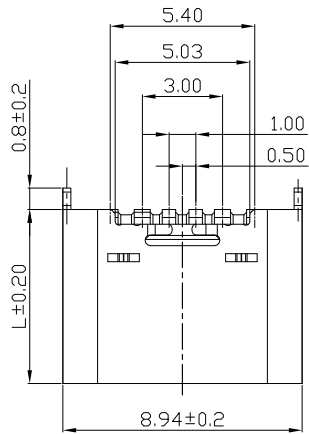
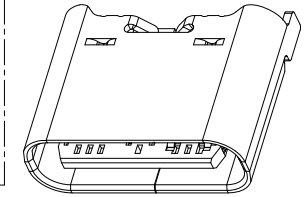
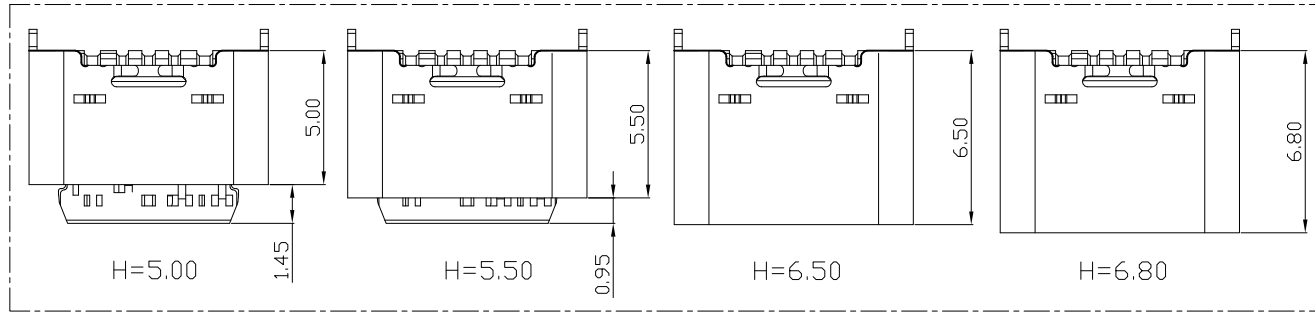
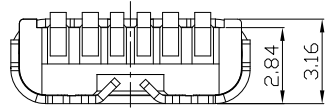




**RoHS Compliant**  
2002/95/EC

REV.	ECN. NO.	APPD.



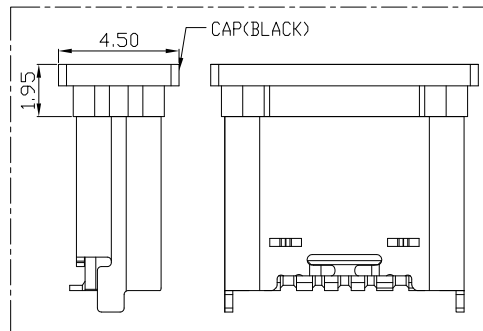
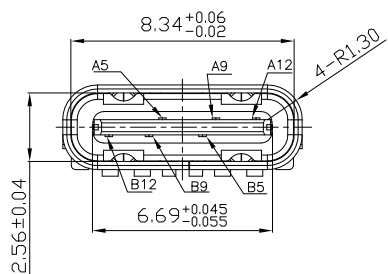
Recommend PCB Layout  
(Tol:±0.05,T=1.0±0.05mm)

USCF-061N-4BQE10	5	WITHOUT	3,000 cycles
USCF-061N-4BQE12	5.5	WITHOUT	3,000 cycles
USCF-061N-4BQE14	6.5	WITHOUT	3,000 cycles
USCF-061N-4BQE16	6.8	WITHOUT	3,000 cycles
USCF-061N-4BQE110	5	WITH	10,000 cycles
USCF-061N-4BQE112	5.5	WITH	10,000 cycles
USCF-061N-4BQE114	6.5	WITH	10,000 cycles
USCF-061N-4BQE116	6.8	WITH	10,000 cycles

P/N: L=mm MID PLATE DURABILITY

A5	CC1	B5	CC2
A9	VBUS	B9	VBUS
A12	GND	B12	GND

PIN NUMBER SIGNAL NAME PIN NUMBER SIGNAL NAME



**NOTES:**

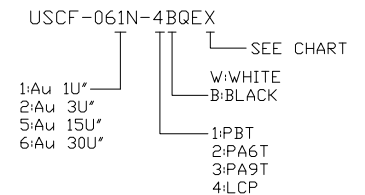
**1.ELECTRICAL:**

- CURRENT RATING: 3.0A MAX.
- INSULATION RESISTANCE: 100MΩ MIN;
- CONTACT RESISTANCE: 40mΩ MAX;
- WITHSTANDING VOLTAGE: 100V AC.
- OPERATING TEMPERATURE:-40°C TO +85°C.

**2.Mechanical:**

- Mating Force: 5N~20N
- Unmating Force: 6N~20N
- Durability: 3,000 or 10,000 cycles

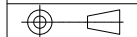
**3.DIMENSIONS MARKED "▼"  
TO BE CHECKED BY Q.C & IPQC.**



**Bill of materials:**

NO	PARTS	MATERIAL	QTY	FINISHING	X	±0.50	X*	±5*	UNITS	mm
5	CAP	LCP+30%GF	1	UL94V-0	x	±0.50	x*	±5*	MAT'L	mm
4	HOUSING	LCP+30%GF	1	UL94V-0	x.X	±0.35	x.X*	±3*	SEE NOTE	mm
3	MID PLATE	STAINLESS STEEL	1	PLATED NICKEL	x.XX	±0.25	x.XX*	±2.5*	SEE NOTE	mm
2	CONTACT	COPPER ALLOY	6	PLATED GOLD/TIN	x.XXX	±0.15	x.XXX*	±2*	SEE NOTE	mm
1	SHELL	STAINLESS STEEL	1	PLATED NICKEL					Q'TY	mm

THESE DRAWINGS AND SPECIFICATIONS ARE THE PROPERTY OF ACCURATE INNOTECH AND SHALL NOT BE REPRODUCED, COPIED OR USED IN ANY MANNER WITHOUT THE PRIOR WRITTEN CONSENT OF ACCURATE INNOTECH INC



**雅安科技有限公司**  
**ACCURATE INNOTECH INC.**

TITLE:	PART NO.:			
USB TYPE CF 6P单排 直立式平贴	USCF-06XN-4BQE1X			
DR:	DWG NO.:			
Ricky 2021/10/30	AII-QE1X			
CHKD:	SCALE	SHEET	REV.	CUSTOMER DRAWING
Ricky 2021/10/30	1:1	1/1	B	