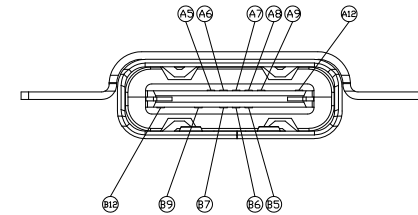
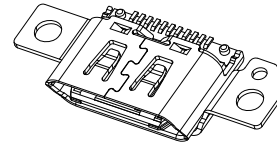
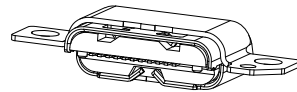
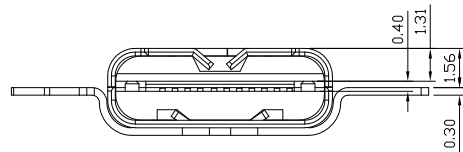


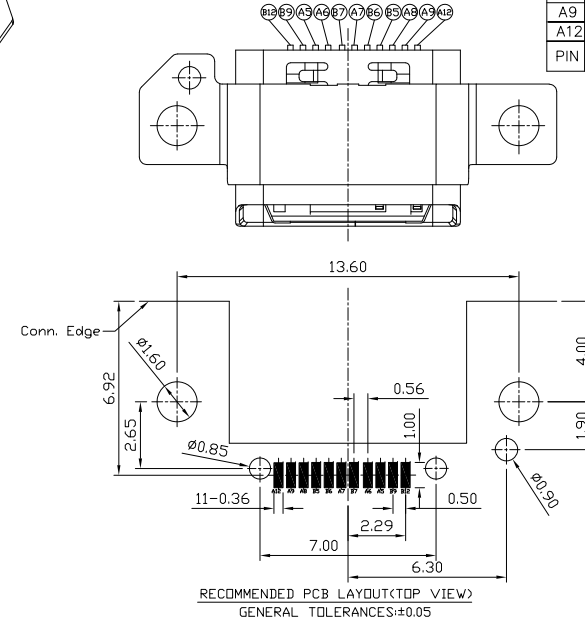
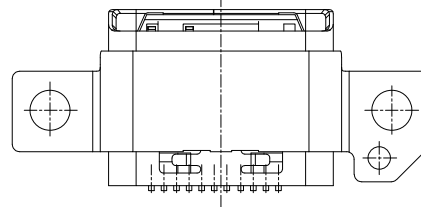
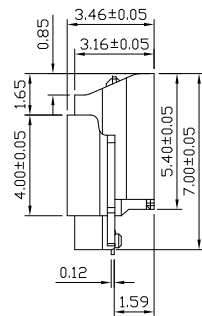
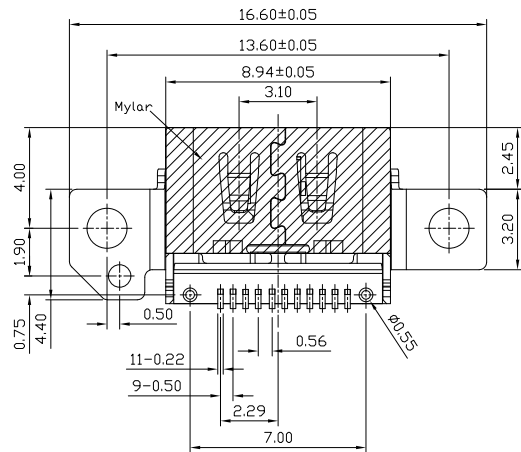


RoHS Compliant
2002/95/EC

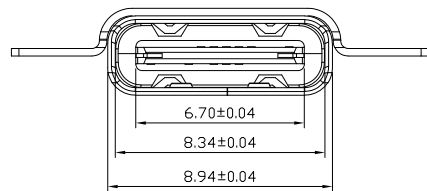
REV.	ECN.	NO.	APPD.



		B12	GND
		B9	VBUS
A5	CC1	B7	DN2
A6	DP1	B6	DP2
A7	DN1	B5	CC2
A8	SBU1		
A9	VBUS		
A12	GND		
PIN	SIGNAL NAME	PIN	SIGNAL NAME



RECOMMENDED PCB LAYOUT(TOP VIEW)
GENERAL TOLERANCES:±0.05



NOTES:

1.ELECTRICAL:

- 1)CURRENT RATING: 3AMP MAX 30V DC;
- 2)INSULATION RESISTANCE: 100mΩ MIN;
- 3)CONTACT RESISTANCE: INITIAL 40mΩ MAX;
- 4)WITHSTANDING VOLTAGE: 100V AC FOR 1 MINUTE.
- 5)OPERATING TEMPERATURE:-30°C TO +80°C.

2.Mechanical:

- 1)Mating Force: 5N~20N MAX.
- 2)Unmating Force: 8N~20N MIN.
- 3)Durability: ≥8,000 CYCLES.;

3.DIMENSIONS MARKED "▼"

TO BE CHECKED BY Q.C & IPQC.

4.PART NO.

USCF-111N-3BVG32-M

W:WHITE
B:BLACK

1:Au 1U*
2:Au 3U*
5:Au 15U*
6:Au 30U*

1:PBT
2:PA6T
3:PA9T
4:LCP

Bill of materials:

NO	PARTS	MATERIAL	QTY	FINISHING	X.	±0.50	Angle ±1°	UNITS	mm	雅安科技有限公司 ACCURATE INNOTECH INC.			
4	MID PLATE	STAINLESS STEEL	1		X	±0.20		MAT'L		TITLE: USB TYPE CF 单排11PIN 沉板1.6		PART NO: USCF-111N-3BVG32-M	
3	SHELL	STAINLESS STEEL	1	PLATED NICKEL	XX	±0.10		SEE NOTE		DR: Ricky 2020/08/28		DWG NO: AII-VG32-M	
2	TERMINAL	COPPER ALLOY	11	PLATED GOLD	XXX	±0.03		FINISH		CHKD: Ricky 2020/08/28		SCALE SHEET REV. CUSTOMER 1:1 1/1 B DRAWING	
1	HOUSING	PA9T+30%GF	1	UL94V-0				SEE NOTE		APPD:			
								Q'TY					

THESE DRAWINGS AND SPECIFICATIONS ARE THE PROPERTY OF ACCURATE INNOTECH INC AND SHALL NOT BE REPRODUCED, COPIED OR USED IN ANY MANNER WITHOUT THE PRIOR WRITTEN CONSENT OF ACCURATE INNOTECH INC.

