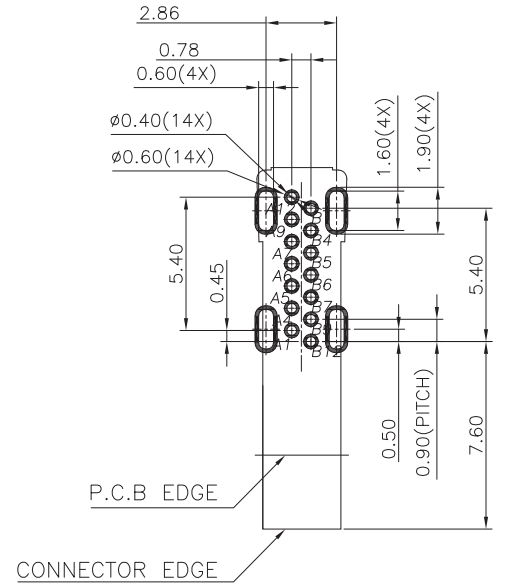
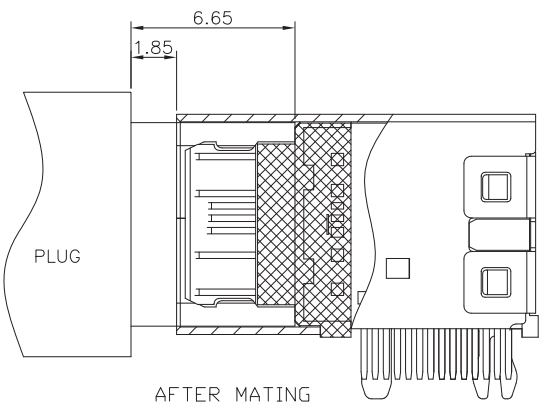
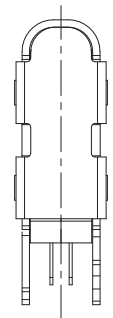
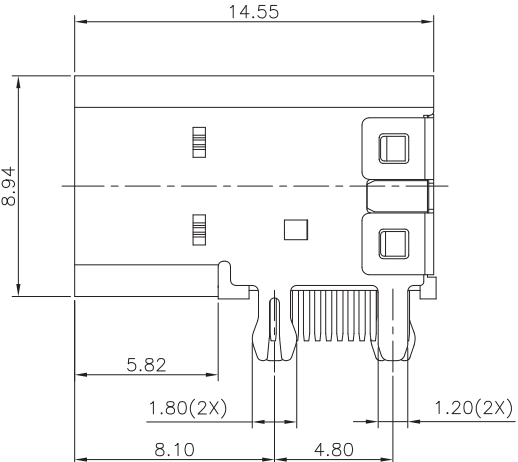
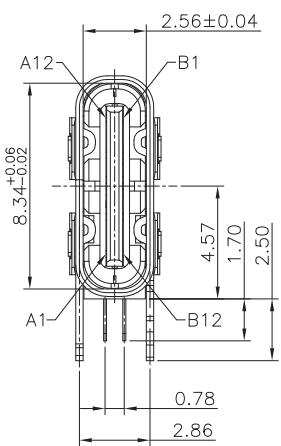
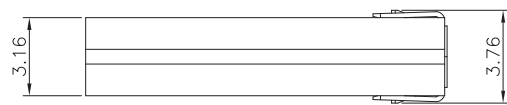


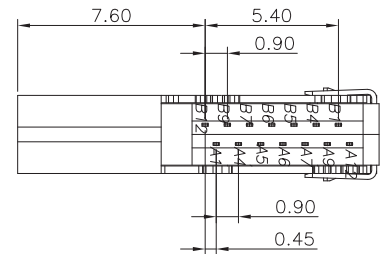


RoHS Compliant
2002/95/EC

REV.	ECN. NO.	APPD.



RECOMMENDED PCB LAYOUT(TOP VIEW)
THICKNESS 1.6±0.10MM;DEFAULT TOLERANCE:±0.05



USB TYPE-C PIN ASSIGNMENTS

PIN NUMBER	SIGNAL NAME	PIN NUMBER	SIGNAL NAME
A1	GND	B12	GND
A4	VBUS	B9	VBUS
A5	CC1	B7	Dn2
A6	Dp1	B6	Dp2
A7	Dn1	B5	CC2
A9	VBUS	B4	VBUS
A12	GND	B1	GND

NOTES:

- 1.ELECTRICAL:
 - 1)CURRENT RATING: 5AMP 5.0VDC
 - 2)INSULATION RESISTANCE: 100MΩ MIN;
 - 3)CONTACT RESISTANCE: 40mΩ MAX;
 - 4)WITHSTANDING VOLTAGE: 100V AC FOR 1 MINUTE.
 - 5)OPERATING TEMPERATURE:-25°C TO +85°C.
- 2.Mechanical:
 - 1)Insertion Force: 5N~20N
 - 2)Removal Force: 8N~20N
 - 3)Durability: 10,000 cycles
- 3.DIMENSIONS MARKED "▼"
TO BE CHECKED BY Q.C & IPQC.

4.PART NO.

USCF-14*N-3BCS20
W:WHITE
B:BLACK
1Au 1U*
2Au 3U*
5Au 15U*
6Au 30U*
1PBT
2PA6T
3PA9T
4LCP

5	EMI PLATE	STAINLESS STEEL	1		X. ±0.35	X.' ±2'	UNITS	雅安科技有限公司 ACCURATE INNOTECH INC.
4	FRONT SHELL	STAINLESS STEEL	1	PLATED NICKEL	.X ±0.30	.X' ±1'	MAT'L	
3	MID PLATE	STAINLESS STEEL	1		.XX ±0.20	.XX' ±0.5'	SEE NOTE	
2	CONTACT	COPPER ALLOY	14	PLATED GOLD/NICKEL	.XXX ±0.10	.XXX'	FINISH	
1	HOUSING	PA9T+30%GF	1	UL94V-0			SEE NOTE	
NO	PARTS	MATERIAL	QTY	FINISHING	THESE DRAWINGS AND SPECIFICATIONS ARE THE PROPERTY OF ACCURATE INNOTECH INC AND SHALL NOT BE REPRODUCED, COPIED OR USED IN ANY MANNER WITHOUT THE PRIOR WRITTEN CONSENT OF ACCURATE INNOTECH INC		Q'TY	

TITLE: USB CF 侧插式DIP TYPE 14PIN		PART NO.: USCF-14XN-3BCS20	
DR: Ricky 2018/08/27		DWG NO.: AII-CS20	
CHKD: Ricky 2018/08/27		SCALE	SHEET
APPD:		1:1	1/1
		REV.	CUSTOMER DRAWING
		B	