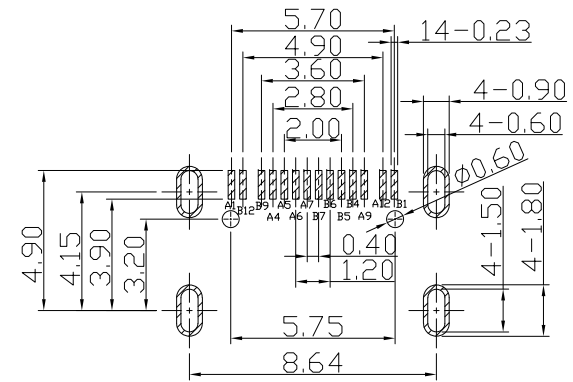
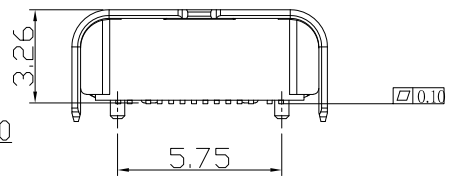
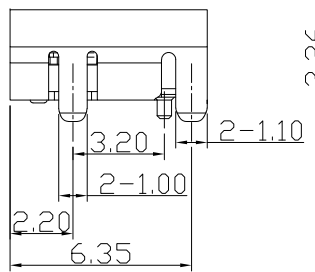
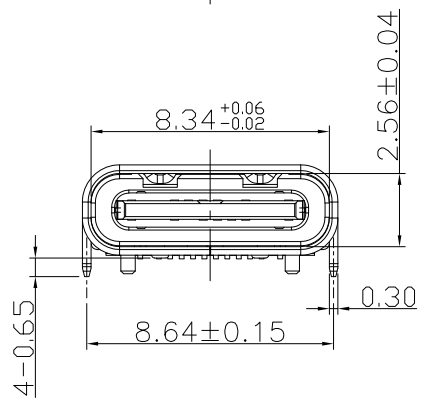
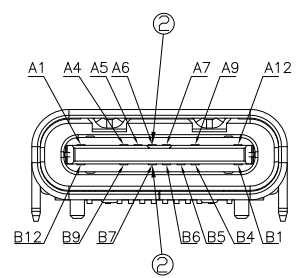
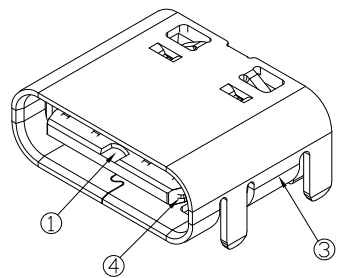
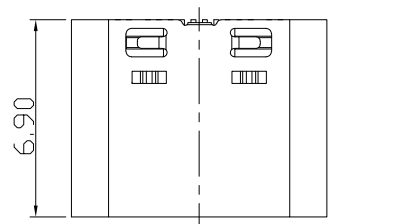
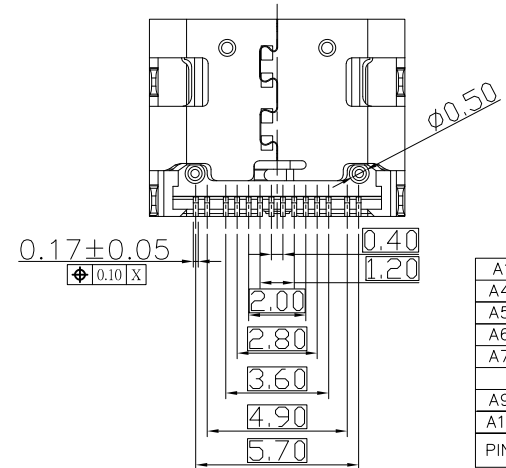

RoHS Compliant
 2002/95/EC
Halogen Free

REV	LTR	DESCRIPTION	DATE	REVISER	APPD



RECOMMENDED PCB LAYOUT



A1	GND	B12	GND
A4	VBUS	B9	VBUS
A5	CC1	B7	DN2
A6	DP1	B6	DP2
A7	DN1	B5	CC2
A9	VBUS	B4	VBUS
A12	GND	B1	GND
PIN	SIGNAL NAME	PIN	SIGNAL NAME

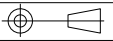
NOTES:

- ELECTRICAL:**
 - CURRENT RATING: 3AMP MAX;
 - INSULATION RESISTANCE: 100MΩ MIN 250V DC;
 - CONTACT RESISTANCE: INITIAL 40mΩ MAX; AFTER 50mΩ MAX;
 - WITHSTANDING VOLTAGE: 100V AC MIN;
 - OPERATING TEMPERATURE: -40°C TO +80°C.
- Mechanical:**
 - Mating Force: 5N~20N MAX.
 - Unmating Force: 8N~20N<INITIAL> 6N~20N<AFTER 10000 CYCLES> MIN.
 - Durability: 10,000 CYCLES.;
- DIMENSIONS MARKED "▼"**
TO BE CHECKED BY Q.C & IPQC.

4.PART NO.

USCF-14*N-4BVJ40
 1Au 1U*
 2Au 3U*
 5Au 15U*
 6Au 30U*
 1PBT
 2PA6T
 3PA9T
 4LCP
 WWHITE
 BBLACK

Bill of materials:

4	MID PLATE	STAINLESS STEEL	1		X. ±0.38	X.* ±5*	UNITS mm	雅安科技有限公司 ACCURATE INNOTECH INC.			
3	SHELL	STAINLESS STEEL	1	PLATED NICKEL	.X ±0.30	.X* ±3*	MAT'L SEE NOTE				
2	TERMINAL	COPPER ALLOY	14	PLATED GOLD	.XX ±0.20	.XX* ±1*	FINISH SEE NOTE				
1	INSULATOR	LCP+30%GF	1	UL94V-0	.XXX ±0.10	.XXX*	Q'TY				
NO	PARTS	MATERIAL	QTY	FINISHING	<small>THESE DRAWINGS AND SPECIFICATIONS ARE THE PROPERTY OF ACCURATE INNOTECH INC. AND SHALL NOT BE REPRODUCED, COPIED OR USED IN ANY MANNER WITHOUT THE PRIOR WRITTEN CONSENT OF ACCURATE INNOTECH INC.</small>			TITLE: USB TYPE CF 2.0 单排14PIN 板上式(带柱) 板上3.26mm PART NO.: USCF-14XN-4BVJ40 DR: Ricky 2018/1/24 DWG NO.: AII-VJ40 CHKD: Ricky 2018/1/24 APPD:			
								SCALE 1:1	SHEET 1/1	REV. B	CUSTOMER DRAWING