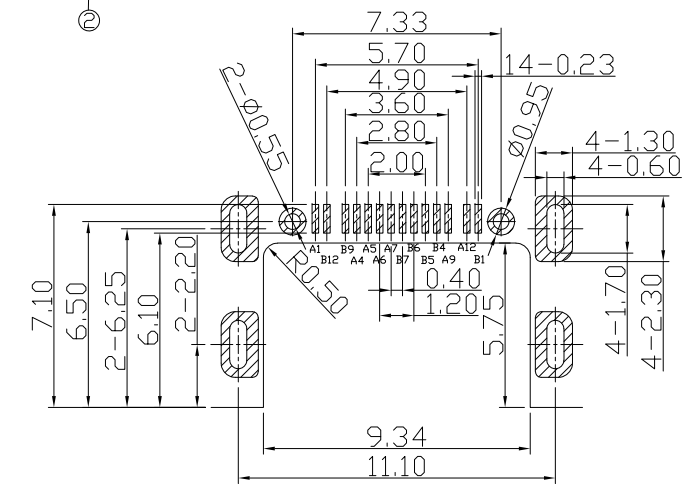
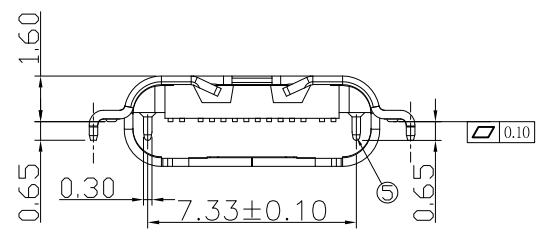
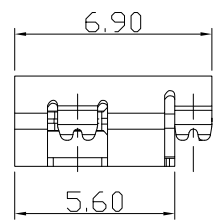
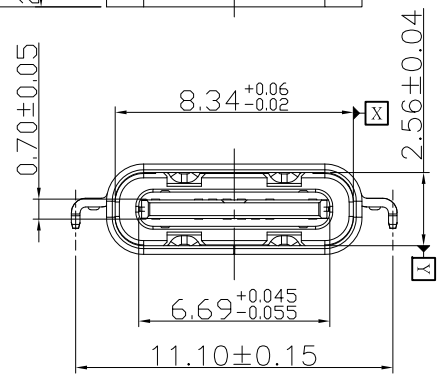
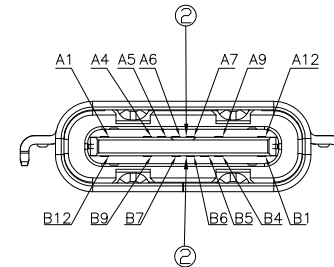
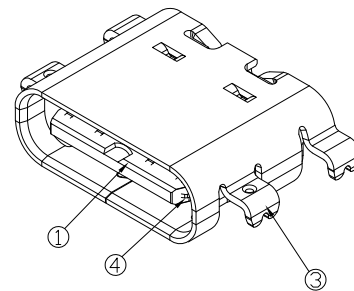
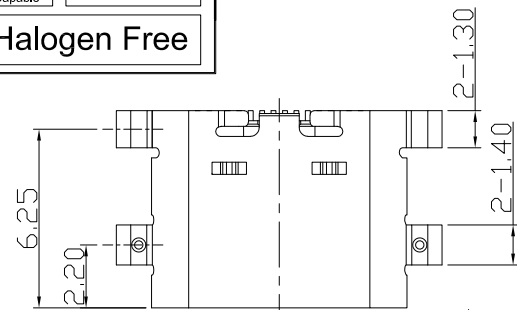




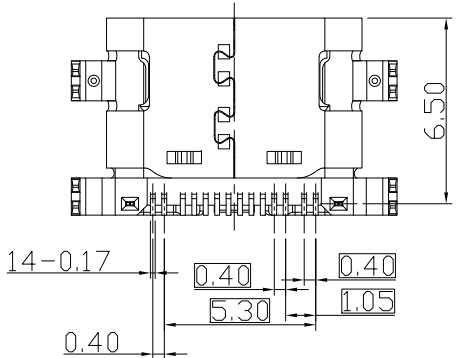
RoHS Compliant  
2002/95/EC

Halogen Free

REV	LTR	DESCRIPTION	DATE	REVISER	APPD



RECOMMENDED PCB LAYOUT



A1	GND	B12	GND
A4	VBUS	B9	VBUS
A5	CC1	B7	DN1
A6	DP1	B6	DP2
A7	DN1	B5	CC2
A9	VBUS	B4	VBUS
A12	GND	B1	GND
PIN	SIGNAL NAME	PIN	SIGNAL NAME

NOTES:

- ELECTRICAL:
  - CURRENT RATING: 5A(VBUS PIN 1.5A/PIN), 5A(GND PIN 1.25A/PIN MAX), 0.25A/PIN(OTHER PIN);
  - INSULATION RESISTANCE: 100MΩ MIN 250V DC;
  - CONTACT RESISTANCE: INITIAL 40mΩ MAX; AFTER 50mΩ MAX;
  - WITHSTANDING VOLTAGE: 100V AC MIN;
  - OPERATING TEMPERATURE: -40°C TO +80°C.
- Mechanical:
  - Mating Force: 5N~20N MAX.
  - Unmating Force: 8N~20N(INITIAL) 6N~20N(AFTER 10000 CYCLES) MIN.
  - Durability: 10,000 CYCLES.;
- DIMENSIONS MARKED "▼" TO BE CHECKED BY Q.C & IPQC.

4.PART NO.

USCF-14\*N-4BVJ41  
 1/Au 1U\*  
 2/Au 3U\*  
 5/Au 15U\*  
 6/Au 30U\*  
 1/PBT  
 2/PA6T  
 3/PA9T  
 4/LCP

Bill of materials:

NO	PARTS	MATERIAL	QTY	FINISHING	UNITS	mm
4	MID PLATE	STAINLESS STEEL	1	PLATED GOLD	X.	±0.38 X.* ±5*
3	SHELL	STAINLESS STEEL	1	PLATED GOLD/NICKEL	.X	±0.30 .X.* ±3*
2	TERMINAL	COPPER ALLOY	14	PLATED GOLD	.XX	±0.20 .XX.* ±1*
1	INSULATOR	LCP+30%GF	1	UL94V-0	.XXX	±0.10 .XXX.*

THESE DRAWINGS AND SPECIFICATIONS ARE THE PROPERTY OF ACCURATE INNOTECH INC. AND SHALL NOT BE REPRODUCED, COPIED OR USED IN ANY MANNER WITHOUT THE PRIOR WRITTEN CONSENT OF ACCURATE INNOTECH INC.

雅安科技有限公司  
ACCURATE INNOTECH INC.

TITLE: USB TYPE CF 2.0 单排14PIN 沉板式 板上1.60mm

PART NO.: USCF-14XN-4BVJ41

DR: Ricky 2018/1/25

DWG NO.: AII-VJ41

CHKD: Ricky 2018/1/25

APPD:

SCALE: 1:1 SHEET: 1/1 REV: B CUSTOMER DRAWING