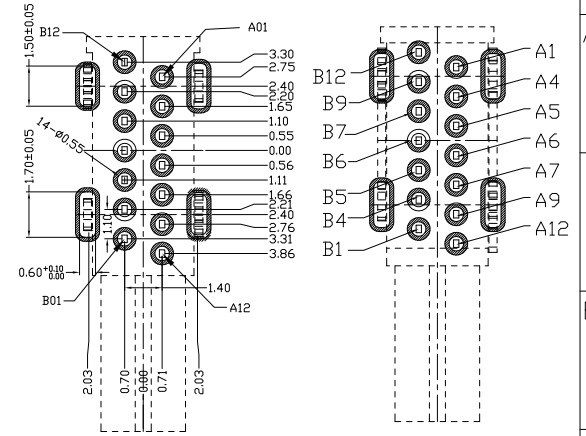
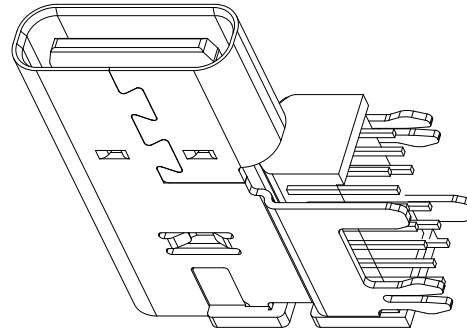
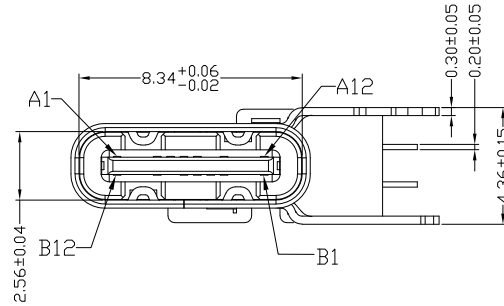
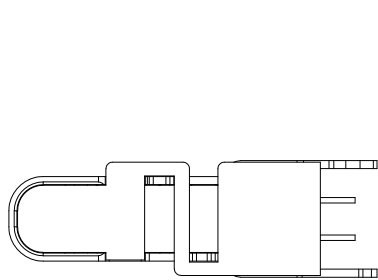


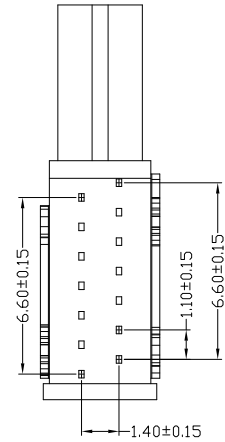
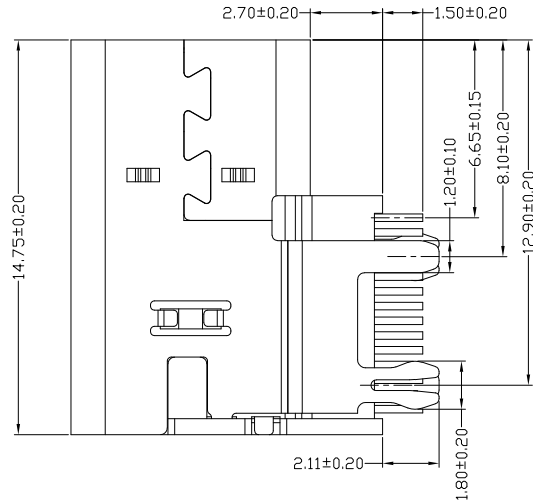


**RoHS Compliant**  
2002/95/EC

REV.	ECN.	NO.	APPD.



A1	GND	B12	GND
A4	VBUS	B9	VBUS
A5	CC1	B7	DN2
A6	DP1	B6	DP2
A7	DN1	B5	CC2
A9	VBUS	B4	VBUS
A12	GND	B1	GND
PIN	SIGNAL NAME	PIN	SIGNAL NAME



**NOTES:**

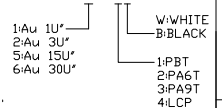
**1.ELECTRICAL:**

- CURRENT RATING: 5A MIN FOR VBUS; 0.25A MIN FOR OTHER. 5VAC MAX.
- INSULATION RESISTANCE: 100MΩ MIN.
- CONTACT RESISTANCE: 40mΩ MAX.
- WITHSTANDING VOLTAGE: 100V AC.
- OPERATING TEMPERATURE: -25°C TO +85°C.

**2.Mechanical:**

- Mating Force: 5N~20N.
  - Unmating Force: 8N~20N.
  - Durability: 10,000 cycles
- 3.DIMENSIONS MARKED "▼"  
TO BE CHECKED BY Q.C & IPQC.

USCF-142N-4BCG51



**Bill of materials:**

NO	PARTS	MATERIAL	QTY	FINISHING	X.	±0.50	X.*	±2°	UNITS	mm
4	SHELL	STAINLESS STEEL	1	PLATED NICKEL	.X	±0.10	.X*	±1°	MAT'L	SEE NOTE
3	CONTACT	COPPER ALLOY	14	PLATED GOLD/TIN	.XX	±0.05	.XXX	±0.02	FINISH	SEE NOTE
2	HOUSING	LCP+30%GF	1	UL94V-0					Q'TY	
1	HOOK	STAINLESS STEEL	1							

THESE DRAWINGS AND SPECIFICATIONS ARE THE PROPERTY OF ACCURATE INNOTECH INC AND SHALL NOT BE REPRODUCED, COPIED OR USED IN ANY MANNER WITHOUT THE PRIOR WRITTEN CONSENT OF ACCURATE INNOTECH INC

雅安科技有限公司 ACCURATE INNOTECH INC.			
TITLE:	PART NO.:		
USB TYPE CF 14P 侧插垫高2.7	USCF-14XN-4BCG51		
DR:	DWG NO.:		
Ricky 2021/07/01	AII-CG51		
CHKD:	SCALE	SHEET	REV.
Ricky 2021/07/01	1:1	1/1	B
APPD:	CUSTOMER		DRAWING