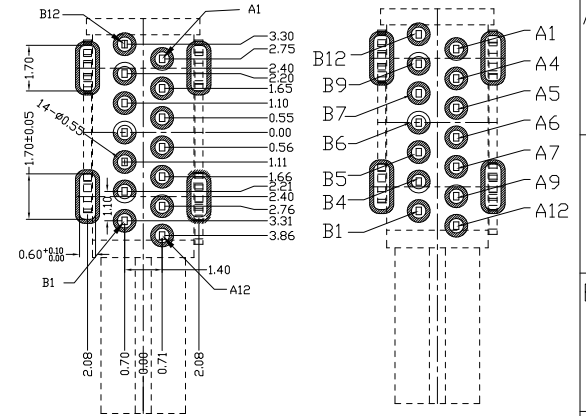
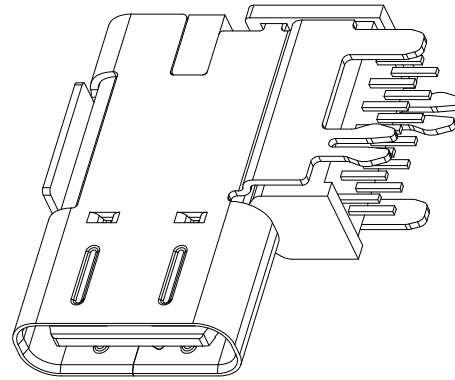
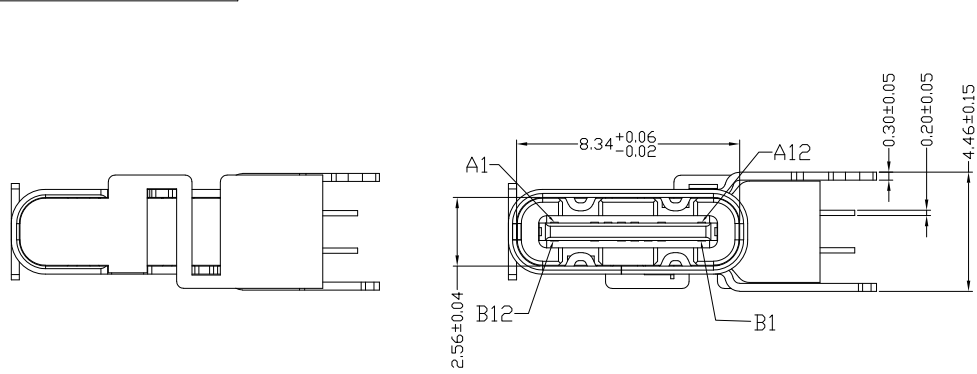




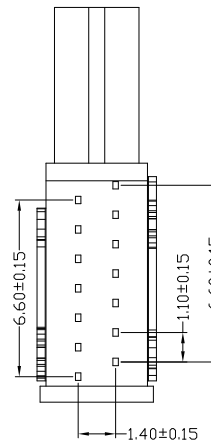
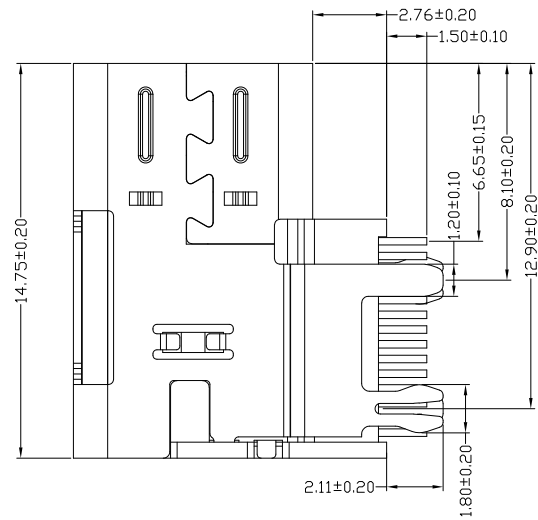
RoHS Compliant
2002/95/EC

REV.	ECN. NO.	APPD.



RECOMMENDED P.C.B. LAYOUT (T:1.00mm)
TOLERANCE UNSPECIFIED ±0.05mm

A1	GND	B12	GND
A4	VBUS	B9	VBUS
A5	CC1		
A6	DP1	B7	DN2
A7	DN1	B6	DP2
		B5	CC2
A9	VBUS	B4	VBUS
A12	GND	B1	GND
PIN	SIGNAL NAME	PIN	SIGNAL NAME



NOTES:

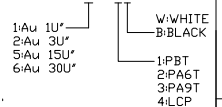
1.ELECTRICAL:

- CURRENT RATING: 5A MIN FOR VBUS; 0.25A MIN FOR OTHER. 5VAC MAX.
- INSULATION RESISTANCE: 100MΩ MIN.
- CONTACT RESISTANCE: 40mΩ MAX.
- WITHSTANDING VOLTAGE: 100V AC.
- OPERATING TEMPERATURE: -25°C TO +85°C.

2.Mechanical:

- Mating Force: 5N~20N.
 - Unmating Force: 8N~20N.
 - Durability: 10,000 cycles
- 3.DIMENSIONS MARKED "▼"
TO BE CHECKED BY Q.C & IPQC.

USCF-142N-4BCG52



Bill of materials:

NO	PARTS	MATERIAL	QTY	FINISHING	X.	±0.50	X.*	±2°	UNITS	mm
4	SHELL	STAINLESS STEEL	1	PLATED NICKEL	.X	±0.10	.X*	±1°	MAT'L	
3	CONTACT	COPPER ALLOY	14	PLATED GOLD/TIN	.XX	±0.05			SEE NOTE	
2	HOUSING	LCP+30%GF	1	UL94V-0	.XXX	±0.02			FINISH	
1	HOOK	STAINLESS STEEL	1						SEE NOTE	
									Q'TY	

THESE DRAWINGS AND SPECIFICATIONS ARE THE PROPERTY OF ACCURATE INNOTECH INC. AND SHALL NOT BE REPRODUCED, COPIED OR USED IN ANY MANNER WITHOUT THE PRIOR WRITTEN CONSENT OF ACCURATE INNOTECH INC.

雅安科技有限公司 ACCURATE INNOTECH INC.			
TITLE: USB TYPE CF 14P 側插墊高2.76 帶吸盤 USCF-14XN-4BCG52		PART NO.: USCF-14XN-4BCG52	
DR: Ricky 2021/10/29		DWG NO.: AII-CG52	
CHKD: Ricky 2021/10/29		SCALE	SHEET
APPD:		1:1	1/1
		REV.	CUSTOMER DRAWING
		B	