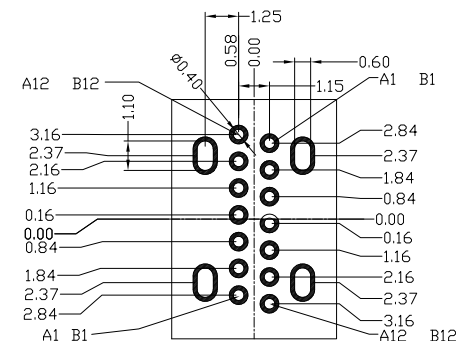
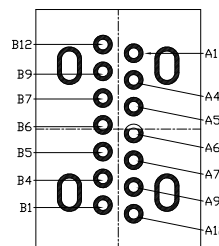
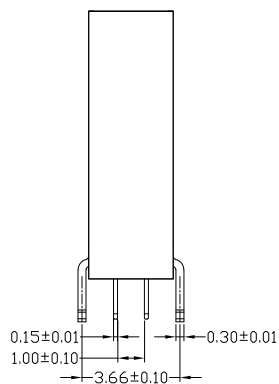
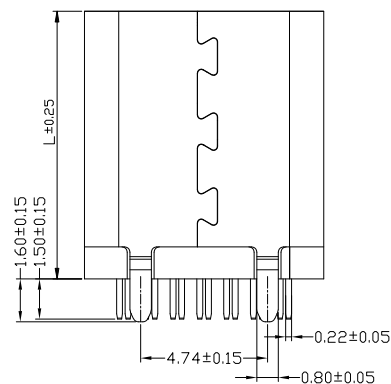
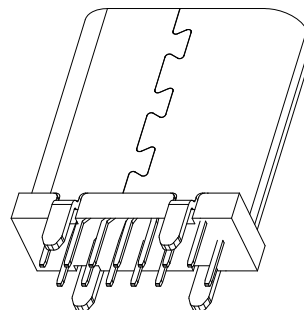
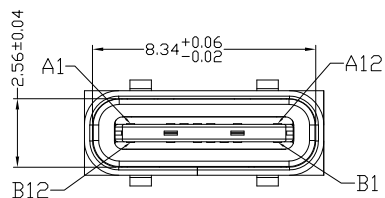


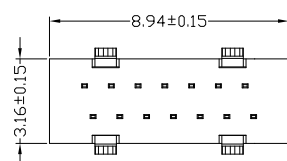


RoHS
Compliant
2002/95/EC

REV.	ECN. NO.	APPD.



RECOMMENDED P.C.B. LAYOUT (T:1.00mm)
TOLERANCE UNSPECIFIED ±0.05mm



USCF-142N-4BPG501	9.3
USCF-142N-4BPG502	10.0
USCF-142N-4BPG503	10.5
P/N:	L: mm

A1	GND	B12	GND
A4	VBUS	B9	VBUS
A5	CC1		
A6	DP1	B7	DN2
A7	DN1	B6	DP2
		B5	CC2
A9	VBUS	B4	VBUS
A12	GND	B1	GND
PIN	SIGNAL NAME	PIN	SIGNAL NAME

NOTES:
1) ELECTRICAL:
1) VOLTAGE CURRENT RATING: 3A, 30V DC.
2) INSULATION RESISTANCE: 100MΩ MIN.
3) CONTACT RESISTANCE: 30mΩ MAX.
4) WITHSTANDING VOLTAGE: 500V AC.
5) OPERATING TEMPERATURE: -25°C TO +85°C.
2) MECHANICAL:
1) Mating Force: 35N MAX.
2) Unmating Force: 8N MIN.
3) Durability: 10,000 cycles
3) DIMENSIONS MARKED "▼"
TO BE CHECKED BY Q.C & IPQC.

USCF-142N-4BPGX
1Au 1U*
2Au 3U*
5Au 15U*
6Au 30U*
SEE CHART
W: WHITE
B: BLACK
1: PBT
2: PA6T
3: PA9T
4: LCP

Bill of materials:

5	SHELL	STAINLESS STEEL	1	PLATED NICKEL	X. ±0.50	X.* ±2°	UNITS	mm
4	SHIELDING PLATE	STAINLESS STEEL	1		.X ±0.10	.X* ±1°	MAT'L	
3	MD	LCP+30%GF	1	UL94V-0	.XX ±0.05		SEE NOTE	
2	CONTACT	COPPER ALLOY	14	PLATED GOLD	.XXX ±0.02		SEE NOTE	
1	HOUSING	LCP+30%GF	1	UL94V-0			Q'TY	
NO	PARTS	MATERIAL	QTY	FINISHING	THESE DRAWINGS AND SPECIFICATIONS ARE THE PROPERTY OF ACCURATE INNOTECH AND SHALL NOT BE REPRODUCED, COPIED OR USED IN ANY MANNER WITHOUT THE PRIOR WRITTEN CONSENT OF ACCURATE INNOTECH INC.			

雅安科技有限公司
ACCURATE INNOTECH INC.

TITLE:	USB TYPE CF 14P 立式插板	PART NO.:	USCF-14XN-4BPG501~3
DR:	Ricky 2021/07/14	DWG NO.:	AII-PG501~3
CHKD:	Ricky 2021/07/14	SCALE	1:1
APPD:		SHEET	1/1
		REV.	B
		CUSTOMER DRAWING	