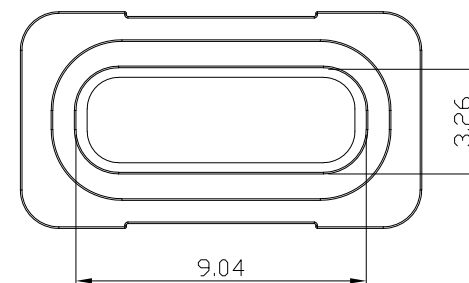
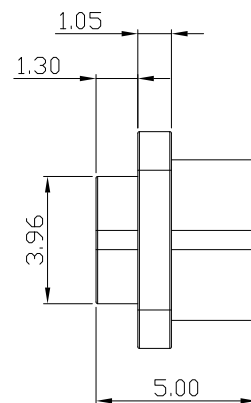
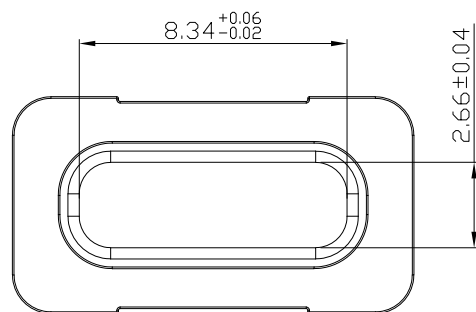
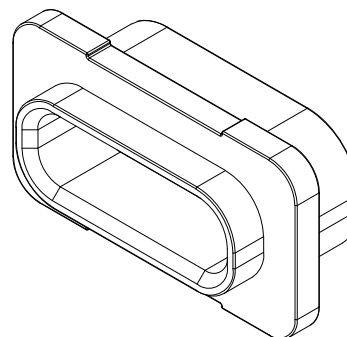
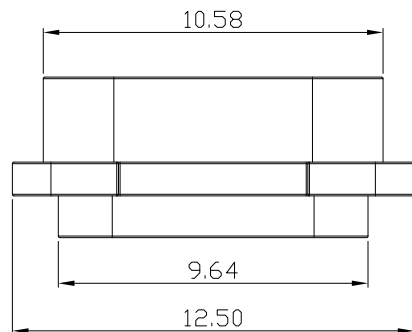




RoHS
Compliant
2002/95/EC

REV.	ECN.	NO.	APPD.



Bill of materials:

NO	PARTS	MATERIAL	QTY	FINISHING	UNITS	MAT'L	FINISH	Q'TY	TITLE:	PART NO.:	DWG NO.:	SCALE	SHEET	REV.	CUSTOMER DRAWING
4					X.	±0.50	X.*	±2°	mm	雅安科技有限公司 ACCURATE INNOTECH INC. TITLE: USB TYPE CF 14P 立式 II=8.2 护套 PART NO.: USCF-14XN-4XXG5XX-C2 DR: <i>Ricky</i> 2022/07/29 DWG NO.: AII-XG5XX-C2 CHKD: <i>Ricky</i> 2022/07/29 APPD:					
3					.X	±0.20	.X.*	±1°	SEE NOTE						
2					.XX	±0.15			SEE NOTE						
1	JACKET	ZINC ALLOY	1	PLATED NICKEL											
THESE DRAWINGS AND SPECIFICATIONS ARE THE PROPERTY OF ACCURATE INNOTECH INC. AND SHALL NOT BE REPRODUCED, COPIED OR USED IN ANY MANNER WITHOUT THE PRIOR WRITTEN CONSENT OF ACCURATE INNOTECH INC.															