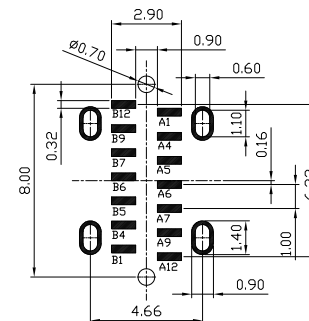
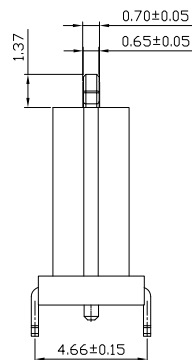
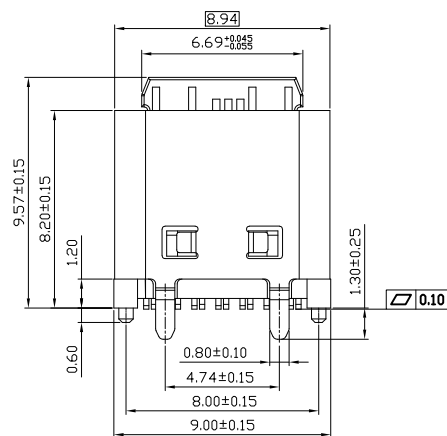
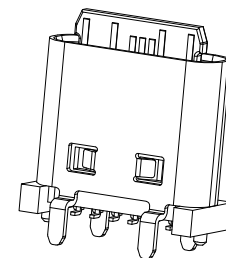
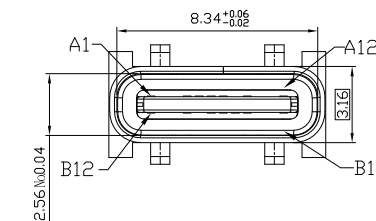


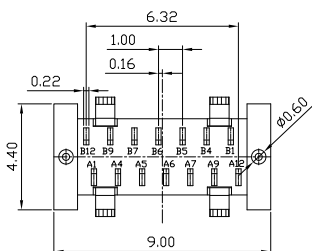


RoHS Compliant
2002/95/EC

REV.	ECN.	NO.	APPD.



RECOMMENDED P.C.B. LAYOUT (T:1.00mm)
TOLERANCE UNSPECIFIED ±0.05mm



A1	GND	B12	GND
A4	VBUS	B9	VBUS
A5	CC1	B7	D-
A6	D+	B6	D+
A7	D-	B5	CC2
A9	VBUS	B4	VBUS
A12	GND	B1	GND
PIN	SIGNAL NAME	PIN	SIGNAL NAME

NOTES:

1.ELECTRICAL:

- 1)VOLGATE CURRENT RATING: 5A, 30V DC.
- 2)INSULATION RESISTANCE: 100MΩ MIN. 150V DC
- 3)CONTACT RESISTANCE: 40mΩ MAX.
- 4)WITHSTANDING VOLTAGE: 150V AC / 1mA MAX.
- 5)OPERATING TEMPERATURE:-40°C TO +85°C.

2.MECHANICAL:

- 1)MATING FORCE: 5N~20N MAX.
- 2)UNMATING FORCE: 8N~20N(INITIAL) 5N(AFTER 10,000 CYCLES) MIN.
- 3)DURABILITY: 10,000 CYCLES

3.DIMENSIONS MARKED "▼"

TO BE CHECKED BY Q.C & IPQC.

USCF-142N-4XQG503

- 1:Au 1U*
2:Au 3U*
5:Au 15U*
6:Au 30U*
- W:WHITE
B:BLACK
- 1:PBT
2:PA6T
3:PA9T
4:LCP

Bill of materials:

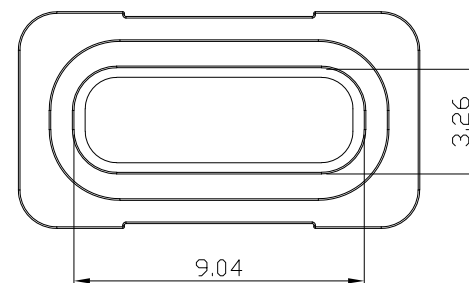
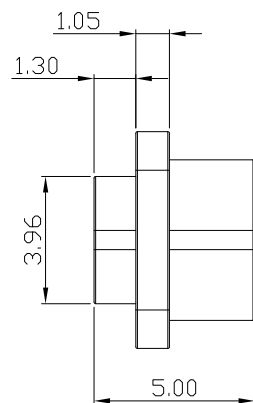
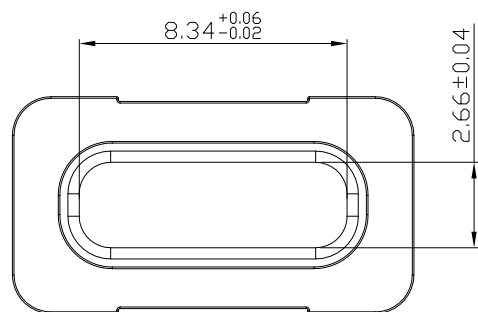
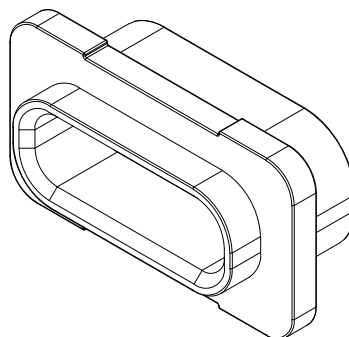
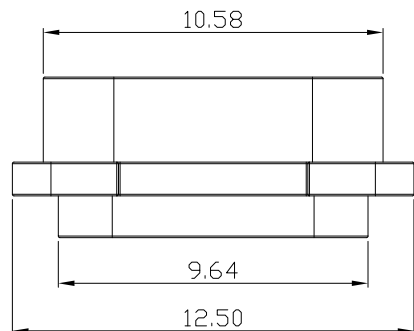
4	HOOK	STAINLESS STEEL	1		X. ±0.25	X.* ±1*	UNITS	mm	雅安科技有限公司 ACCURATE INNOTECH INC.
3	SHELL	STAINLESS STEEL	1	PLATED NICKEL	.X ±0.20	.X.* ±0.5*	MAT'L		
2	CONTACT	COPPER ALLOY	14	PLATED GOLD	.XX ±0.15		SEE NOTE		
1	HOUSING	LCP+30%GF	1	UL94V-0	.XXX ±0.10		FINISH		
NO	PARTS	MATERIAL	QTY	FINISHING	THESE DRAWINGS AND SPECIFICATIONS ARE THE PROPERTY OF ACCURATE INNOTECH AND SHALL NOT BE REPRODUCED, COPIED OR USED IN ANY MANNER WITHOUT THE PRIOR WRITTEN CONSENT OF ACCURATE INNOTECH INC.			Q'TY	

TITLE: USB TYPE CF 14P 立贴 H=8.2		PART NO.: USCF-14XN-4XQG503	
DR: Ricky 2022/07/29		DWG NO.: AII-QG503	
CHKD: Ricky 2022/07/29		SCALE	SHEET
APPD:	1:1	1/1	REV. B
			CUSTOMER DRAWING



RoHS
Compliant
2002/95/EC

REV.	ECN.	NO.	APPD.



Bill of materials:

4					x. ±0.50	x.* ±2°	UNITS mm	雅安科技有限公司 ACCURATE INNOTECH INC. TITLE: USB TYPE CF 14P 立式 II=8.2 护套 PART NO.: USCF-14XN-4XXG5XX-C2 DR: <i>Ricky</i> 2022/07/29 DWG NO.: AII-XG5XX-C2 CHKD: <i>Ricky</i> 2022/07/29 APPD:				
3					.X ±0.20	.X* ±1°	MAT'L					
2					.XX ±0.15		SEE NOTE					
1	JACKET	ZINC ALLOY	1	PLATED NICKEL	THESE DRAWINGS AND SPECIFICATIONS ARE THE PROPERTY OF ACCURATE INNOTECH INC. AND SHALL NOT BE REPRODUCED, COPIED OR USED IN ANY MANNER WITHOUT THE PRIOR WRITTEN CONSENT OF ACCURATE INNOTECH INC.		FINISH SEE NOTE	Q'TY	1:1	1/1	B	CUSTOMER DRAWING
NO	PARTS	MATERIAL	QTY	FINISHING								