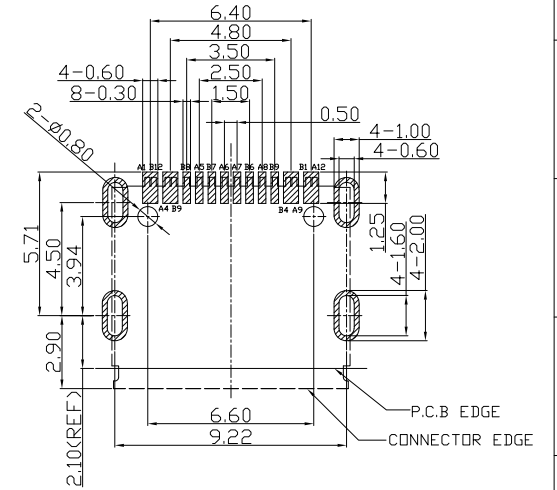
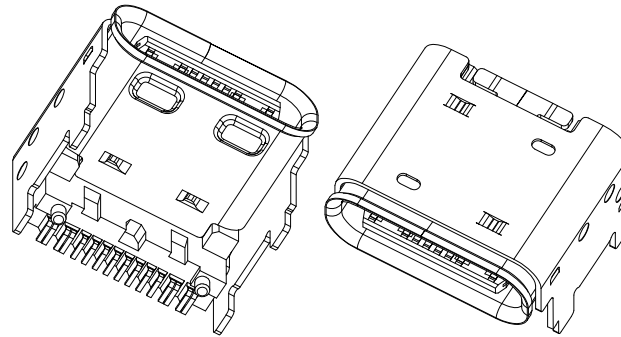
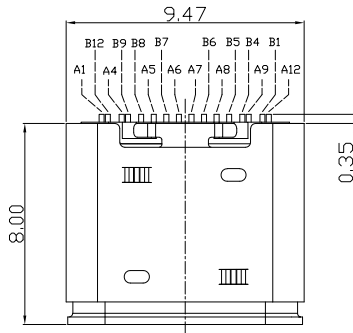


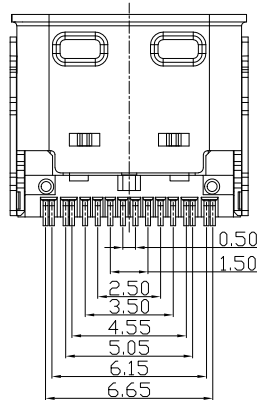
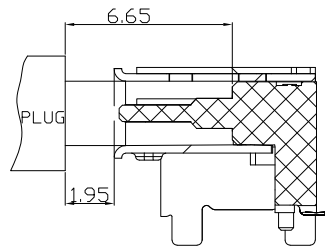
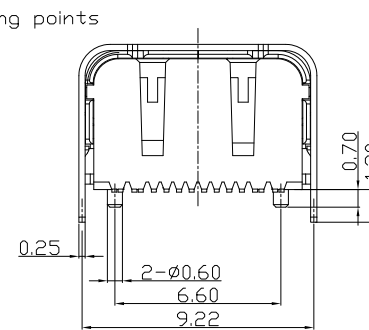
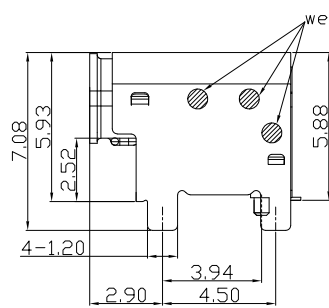
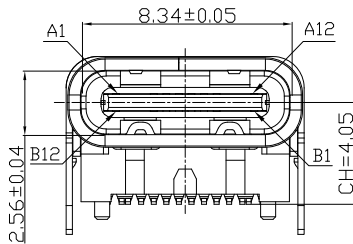
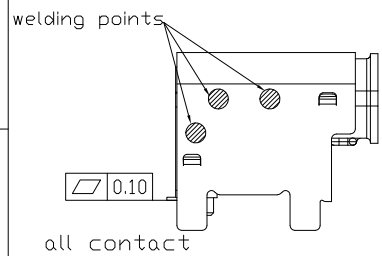


RoHS Compliant  
2002/95/EC

REV.	ECN.	NO.	APPD.



RECOMMENDED P.C.B LAYOUT  
TOLERANCE UNSPECIFIED ±0.05mm



USB TYPE C PIN ASSIGNMENTS

PIN NUMBER	SIGNAL NAME	PIN NUMBER	SIGNAL NAME
A1	GND	B12	GND
A4	VBUS	B9	VBUS
A5	CC1	B8	SUB2
A6	Dp1	B7	Dn2
A7	Dn1	B6	Dp2
A8	SBU1	B5	CC2
A9	VBUS	B4	VBUS
A12	GND	B1	GND

NOTES:

- ELECTRICAL:
  - CURRENT RATING: 5.0A MAX
  - INSULATION RESISTANCE: 100MΩ MIN
  - CONTACT RESISTANCE: 40MΩ MAX
  - WITHSTANDING VOLTAGE: 100V AC
  - OPERATING TEMPERATURE: -30°C TO +85°C.
- MECHANICAL:
  - MATING FORCE: 5N~20N
  - UNMATING FORCE: 8N~20N
  - DURABILITY: 10,000 CYCLES
- DIMENSIONS MARKED "▼" TO BE CHECKED BY Q.C & IPQC.

4.PART NO.

USCF-161N-3BVS210

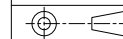
1:Au 1U"  
2:Au 3U"  
5:Au 15U"  
6:Au 30U"

W:WHITE  
B:BLACK  
1:PBT  
2:PA6T  
3:PA9T  
4:LCP

Bill of materials:

NO	PARTS	MATERIAL	QTY	FINISHING	UNITS	mm
6	OVER SHELL	STAINLESS STEEL	1	PLATED NICKEL	X	±0.30 X ±10°
5	SHELL	STAINLESS STEEL	1	PLATED NICKEL	XX	±0.20 X ±8°
4	SHIELDING PLATE	STAINLESS STEEL	1	PLATED NICKEL	XXX	±0.10 XX ±5°
3	MD	LCP+30%GF	1	UL94V-0		
2	CONTACT	COPPER ALLOY	16	PLATED GOLD/NICKEL		
1	HOUSING	PA9T OR LCP+30%GF	1	UL94V-0		
NO	PARTS	MATERIAL	QTY	FINISHING		

THESE DRAWINGS AND SPECIFICATIONS ARE THE PROPERTY OF ACCURATE INNOTECH INC AND SHALL NOT BE REPRODUCED, COPIED OR USED IN ANY MANNER WITHOUT THE PRIOR WRITTEN CONSENT OF ACCURATE INNOTECH INC.



<b>雅安科技有限公司</b> <b>ACCURATE INNOTECH INC.</b>			
TITLE: USB TYPE CF 单排16PIN 架高型CH=4.05 铁壳无挡板		PART NO: USCF-16XN-3BVS210	
DR: Ricky 2023/11/01		DWG NO: AII-VS210	
CHKD: Ricky 2023/11/01		SCALE	SHEET
APPD:	REV. B	1:1	1/1
		CUSTOMER DRAWING	