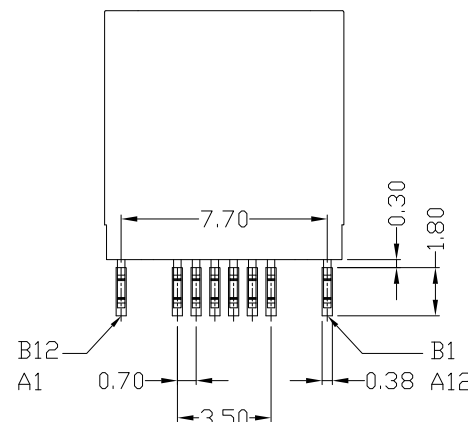
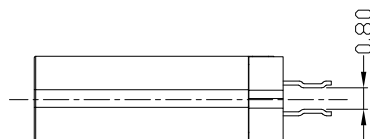
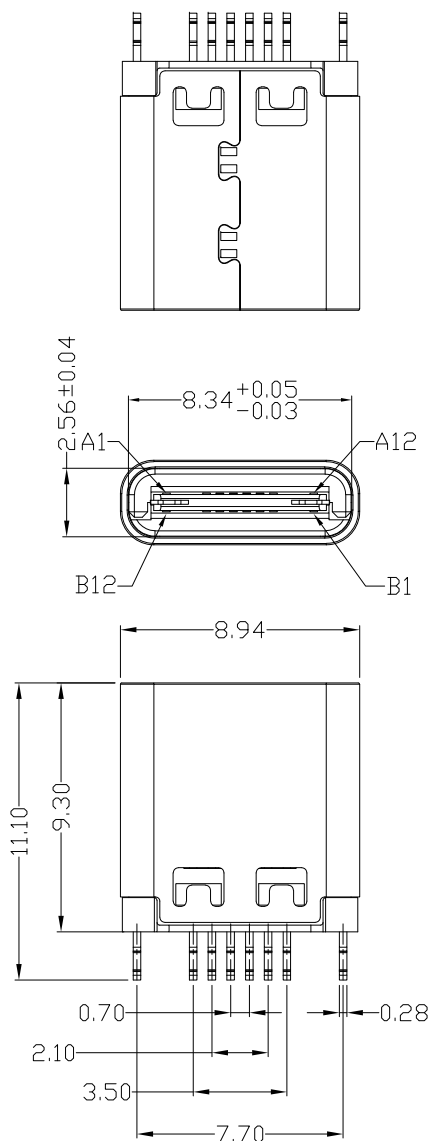




RoHS
Compliant
2002/95/EC

REV.	ECN.	NO.	APPD.



PIN	Signal Name	PIN	Signal Name
A1	GND	B12	GND
A2		B11	
A3		B10	
A4	VBUS	B9	VBUS
A5	CC1	B8	SUB2
A6	Dp1	B7	Dn2
A7	Dn1	B6	Dp2
A8	SUB1	B5	CC2
A9	VBUS	B4	VBUS
A10		B3	
A11		B2	
A12	GND	B1	GND

- NOTES:
- ELECTRICAL:
 - CURRENT RATING: 5AMP MAX;
 - INSULATION RESISTANCE: 100MΩ MIN;
 - CONTACT RESISTANCE: 40mΩ MAX;
 - WITHSTANDING VOLTAGE: 100V AC;
 - OPERATING TEMPERATURE: -30°C TO +85°C.
 - Mechanical:
 - Mating Force: 5N~20N
 - Unmating Force: 8N~20N
 - Durability: 10,000 cycles
 - DIMENSIONS MARKED "▼"
TO BE CHECKED BY Q.C & IPQC.

4.PART NO.
USCF-161N-4BHJ50

1Au 1U"
2Au 3U"
5Au 15U"
6Au 30U"

W:WHITE
B:BLACK

1:PBT
2:PA6T
3:PA9T
4:LCP

Bill of materials:

NO	PARTS	MATERIAL	QTY	FINISHING	X.	±0.25	X.*	±5°	UNITS	mm
6					X.	±0.25	X.*	±5°	UNITS	mm
5					.X	±0.20	.X.*	±2°	MAT'L	
4	SHIELD	STAINLESS STEEL	1	PLATED NICKEL	.XX	±0.15	.XX.*	±1°	SEE NOTE	
3	SHELL	STAINLESS STEEL	1	PLATED NICKEL	.XXX	±0.10	.XXX.*	±0.5°	FINISH	
2	TERMINAL	COPPER ALLOY	16	PLATED GOLD/TIN					SEE NOTE	
1	HOUSING	LCP+30%GF	1	UL94V-0					Q'TY	
NO	PARTS	MATERIAL	QTY	FINISHING						

THESE DRAWINGS AND SPECIFICATIONS ARE THE PROPERTY OF ACCURATE INNOTECH AND SHALL NOT BE REPRODUCED, COPIED OR USED IN ANY MANNER WITHOUT THE PRIOR WRITTEN CONSENT OF ACCURATE INNOTECH INC

雅安科技有限公司 ACCURATE INNOTECH INC.			
TITLE: USB TYPE CF 16P 夹板式0.8 H=9.3		PART NO.: USCF-16XN-4BHJ50	
DR: Ricky 2022/04/29		DWG NO.: AII-HJ50	
CHKD: Ricky 2022/04/29		SCALE	SHEET
APPD:		1:1	1/1
		REV.	CUSTOMER DRAWING
		B	