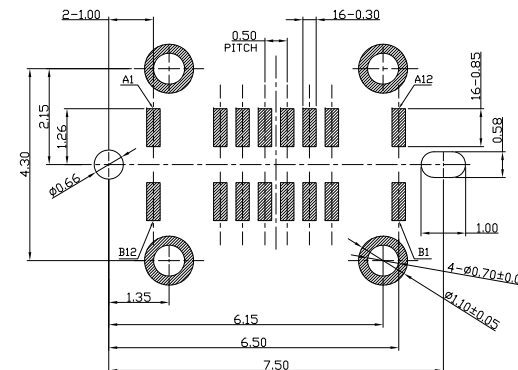
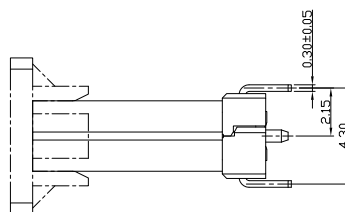
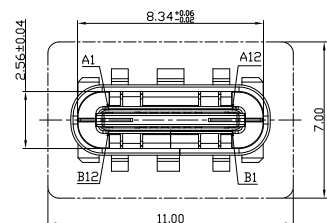
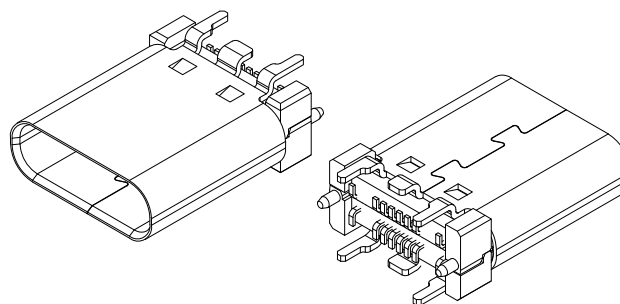
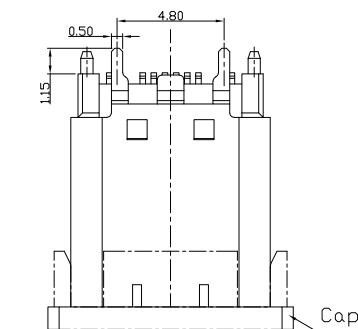


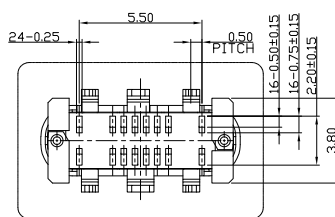
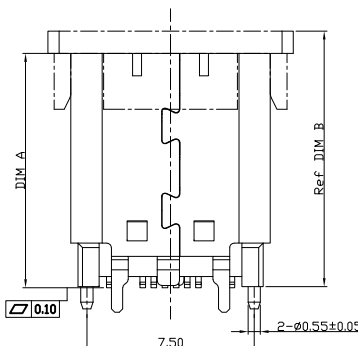


RoHS
Compliant
2002/95/EC

REV.	ECN. NO.	APPD.



RECOMMENDED P.C.B. LAYOUT (T:1.00mm)
TOLERANCE UNSPECIFIED ±0.05mm
SCALE: 2:1



USB TYPE-C FULL-FEATURED RECEPTACLE INTERFACE PIN ASSIGNMENTS

PIN	Signal Name	Description	PIN	Signal Name	Description
A1	GND	Ground return	B12	GND	Ground return
A4	VBUS	Bus Power	B9	VBUS	Bus Power
A5	CC1	Configuration Channel	B8	SBU2	Sideband Use (SBU)
A6	Dp1	Positive half of the USB 2.0 differential pair-Position 1	B7	Dn2	Negative half of the USB 2.0 differential pair-Position 2
A7	Dn1	Negative half of the USB 2.0 differential pair-Position 1	B6	Dp2	Positive half of the USB 2.0 differential pair-Position 2
A8	SBU1	Sideband Use(SBU)	B5	CC2	Configuration Channel
A9	VBUS	Bus Power	B4	VBUS	Bus Power
A12	GND	Ground return	B1	GND	Ground return

NOTES:

- ELECTRICAL CHARACTERISTICS:
 - CURRENT RATING: 3A FOR VBUS; 1.25A FOR GND PIN; 0.25A FOR OTHER PIN.
 - INSULATION RESISTANCE: 100MΩ Min
 - CONTACT RESISTANCE: 40mΩ Max.
 - WITHSTANDING VOLTAGE: 100V AC R.M.S.
 - OPERATING TEMPERATURE: -55°C ~ 85°C
- MECHANICAL CHARACTERISTICS:
 - MATING FORCE: 5N~20N.
 - UNMATED FORCE: 8N~20N AFTER TEST
 - DURABILITY: 10,000 CYCLES
- DIMENSIONS MARKED "▼"
TO BE CHECKED BY Q.C & IPQC.

4.PART NO.
USCF-161N-4BQF1X

1:Au 1U"
2:Au 3U"
5:Au 15U"
6:Au 30U"

SEE CHART

W:WHITE
B:BLACK

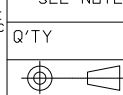
1:PBT
2:PA6T
3:PA9T
4:LCP

P/N:	DIM A	DIM B
USCF-161N-4BQF10	10.50	11.5
USCF-161N-4BQF11	9.30	10.3

Bill of materials:

7									
6	CAP	LCP+30%GF	1	UL94V-0	X.	±0.50	X.*	±3°	UNITS mm
5	SHIELD SHELL	STAINLESS STEEL	1		.X	±0.35			MAT'L
4	EMI SHELL	STAINLESS STEEL	1		.XX	±0.25			SEE NOTE
3	SHELL	STAINLESS STEEL	1	PLATED NICKEL	.XXX	±0.15			FINISH
2	CONTACT	COPPER ALLOY	16	PLATED GOLD/TIN					SEE NOTE
1	MOLDING	LCP+30%GF	1	UL94V-0					Q'TY
NO	PARTS	MATERIAL	QTY	FINISHING					

THESE DRAWINGS AND SPECIFICATIONS ARE THE PROPERTY OF ACCURATE INNOTECH INC AND SHALL NOT BE REPRODUCED, COPIED OR USED IN ANY MANNER WITHOUT THE PRIOR WRITTEN CONSENT OF ACCURATE INNOTECH INC



雅安科技有限公司
ACCURATE INNOTECH INC.

TITLE:
USB TYPE CF 16P VERTICAL
SMT H=9.3&10.5

PART NO.:
USCF-16XN-4BQF10&1

DR: Ricky 2022/05/16

DWG NO.:
AII-QF10&1

CHKD: Ricky 2022/05/16

SCALE	SHEET	REV.	CUSTOMER DRAWING
1:1	1/1	B	