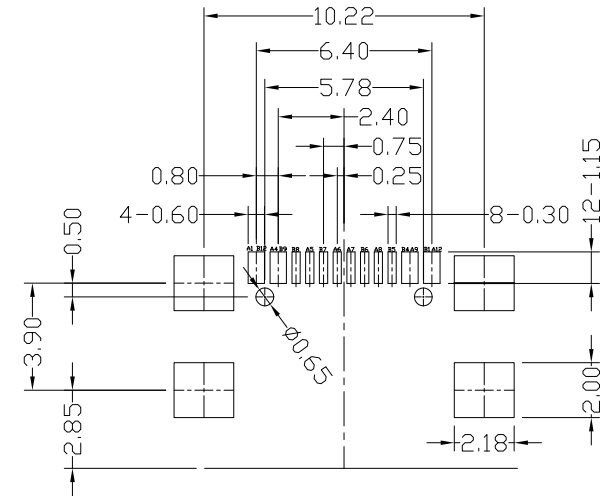
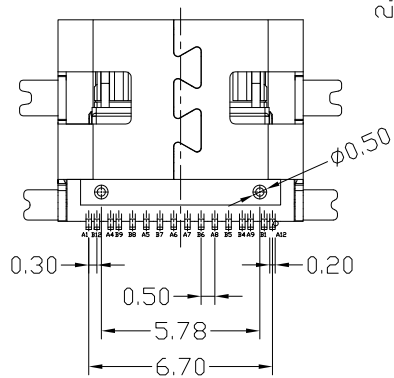
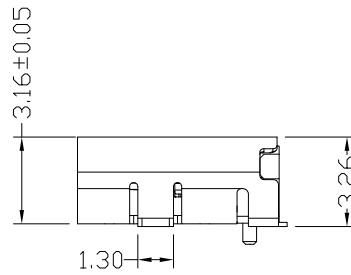
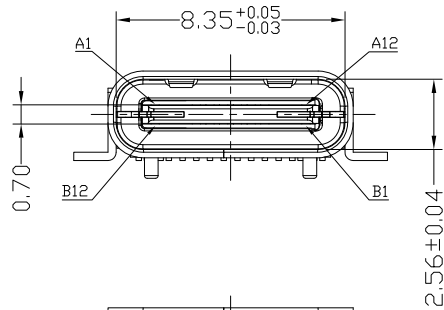
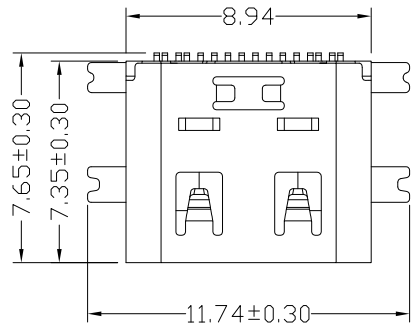




RoHS Compliant  
2002/95/EC

REV.	ECN. NO.	APPD.



RECOMMENDED P.C.B. LAYOUT  
TOLERANCE UNSPECIFIED ±0.05mm

A1	GND	B12	GND
A4	VBUS	B9	VBUS
A5	CC1	B8	SBU2
A6	DP1	B7	DN2
A7	DN1	B6	DP2
A8	SBU1	B5	CC2
A9	VBUS	B4	VBUS
A12	GND	B1	GND
PIN	SIGNAL NAME	PIN	SIGNAL NAME

- NOTES:
- ELECTRICAL:
    - CURRENT RATING: 3AMP MAX;
    - INSULATION RESISTANCE: 100MΩ MIN 250V DC;
    - CONTACT RESISTANCE: 40mΩ MAX;
    - WITHSTANDING VOLTAGE: 100V AC;
    - OPERATING TEMPERATURE: -30°C TO +80°C.
  - Mechanical:
    - Mating Force: 20N MAX.
    - Unmating Force: 6N MIN.
  - DIMENSIONS MARKED "▼"  
TO BE CHECKED BY Q.C & IPQC.

4.PART NO.  
USCF-16\*N-4BV605  
W/WHITE  
B/BLACK  
1:4u 1U\*  
2:4u 3U\*  
5:4u 15u\*  
6:4u 30U\*  
1PBT  
2:PA6T  
3:PA9T  
4:LCP

5					.X ±0.30	.X' ±1'	UNITS	mm
4	HOOK	STAINLESS STEEL	1		.XX ±0.20	.XX'	MAT'L	
3	SHELL	STAINLESS STEEL	1	PLATED NICKEL	.XXX ±0.10	.XXX'	SEE NOTE	
2	TERMINAL	COPPER ALLOY	16	PLATED GOLD			FINISH	
1	HOUSING	LCP+30%GF	1	UL94V-0			SEE NOTE	
NO	PARTS	MATERIAL	QTY	FINISHING	THESE DRAWINGS AND SPECIFICATIONS ARE THE PROPERTY OF ACCURATE INNOTECH INC AND SHALL NOT BE REPRODUCED, COPIED OR USED IN ANY MANNER WITHOUT THE PRIOR WRITTEN CONSENT OF ACCURATE INNOTECH INC		Q'TY	

雅安科技有限公司  
ACCURATE INNOTECH INC.

TITLE: USB TYPE CF 短体7.35 单排 16P 四脚贴片 有弹 二次成型款

PART NO.: USCF-16XN-4BV605

DR: Ricky 2019/03/27

CHKD: Ricky 2019/03/27

DWG NO.: AII-V605

SCALE: 1:1 SHEET: 1/1 REV.: B CUSTOMER DRAWING