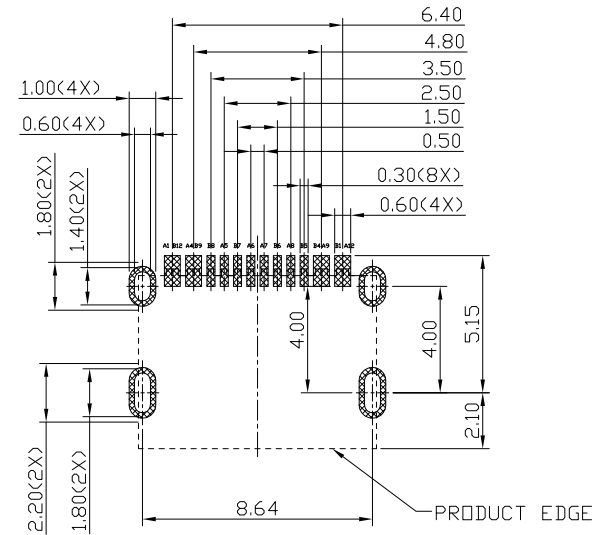
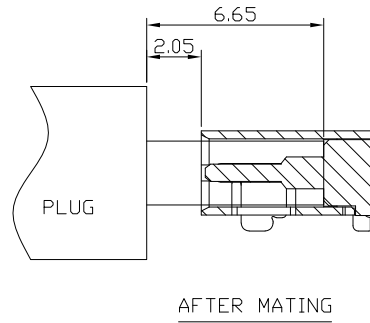
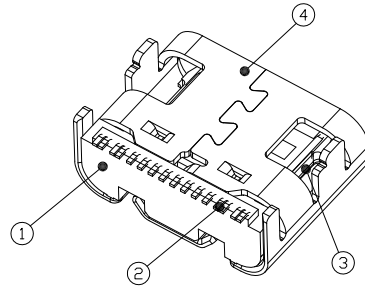
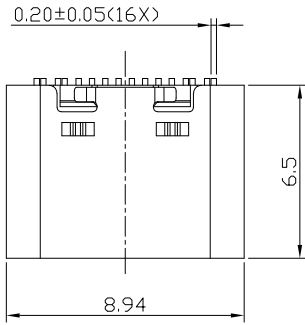


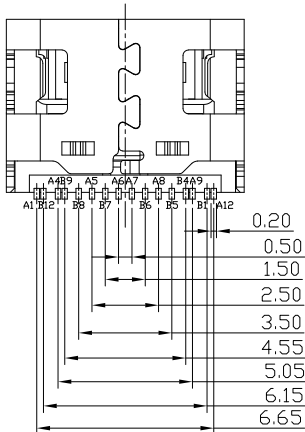
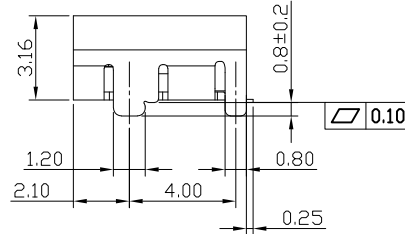
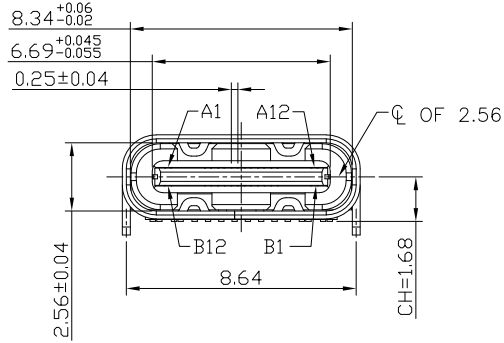


RoHS Compliant
2002/95/EC

REV.	ECN. NO.	APPD.



RECOMMENDED PCB LAYOUT(TOP VIEW)
THICKNESS 0.60MM;DEFAULT TOLERANCE:±0.05



USB TYPE-C PIN ASSIGNMENTS

PIN NUMBER	SIGNAL NAME	PIN NUMBER	SIGNAL NAME
A1	GND	B12	GND
A4	VBUS	B9	VBUS
A5	CC1	B8	SBU2
A6	Dp1	B7	Dn2
A7	Dn1	B6	Dp2
A8	SBU1	B5	CC2
A9	VBUS	B4	VBUS
A12	GND	B1	GND

NOTES:

1.ELECTRICAL:

- VOLTAGE RATING:5 V DC/AC (RMS. max)
CURRENT RATING:5 AMPS. FOR TOTAL VBUS/GND PINS;
1.25AMPS FOR CC PIN,0.25 AMPS. FOR ALL OTHER CONTACT.
- INSULATION RESISTANCE: 100MΩ MIN;
- CONTACT RESISTANCE:
LLCR:VBUS & GND PINS AND OTHER PINS: 40mΩ/PIN MAX.
LLCR MAX. CHANGE OF ALL PINS: 10mΩ.
- WITHSTANDING VOLTAGE: 100V AC FOR 1 MINUTE.
- OPERATING TEMPERATURE:-25°C TO +85°C.

2.MECHANICAL:

- MATING FORCE: 5N~20N
 - UNMATING FORCE: 8N~20N
6N~20N(AFTER 10,000 CYCLES) MIN.
 - DURABILITY: 10,000 CYCLES
- 3.DIMENSIONS MARKED "▼" TO BE CHECKED BY Q.C & IPQC.

USCF-161N-4BV5201

- 1#Au 1U'
- 2#Au 3U'
- 5#Au 15U'
- 6#Au 30U'
- W:WHITE
- B:BLACK
- 1#PBT
- 2#PA6T
- 3#PA9T
- 4#LCP

Bill of materials:

NO	PARTS	MATERIAL	QTY	FINISHING	.X	±0.30	.X'	±10'	UNITS	mm	雅安科技有限公司 ACCURATE INNOTECH INC.				
6					.XX	±0.20	.X'	±8'	MAT'L		TITLE: USB TYPE CF 单排16PIN 长6.5 板上型 脚长0.8	PART NO.: USCF-161N-4BV5201			
5					.XXX	±0.10	.XX'	±5'	SEE NOTE		DR: Ricky 2023/08/09	DWG NO.: AII-VS201			
4	FRONT SHELL	STAINLESS STEEL	1	PLATED NICKEL					FINISH		CHKD: Ricky 2023/08/09	SCALE	SHEET	REV.	CUSTOMER
3	MID PLATE	STAINLESS STEEL	1						SEE NOTE			1:1	1/1	B	DRAWING
2	TERMINAL	COPPER ALLOY	16	PLATED GOLD/NICKEL											
1	HOUSING	LCP+30%GF	1	UL94V-0					Q'TY						
ND	PARTS	MATERIAL	QTY	FINISHING	THESE DRAWINGS AND SPECIFICATIONS ARE THE PROPERTY OF ACCURATE INNOTECH INC AND SHALL NOT BE REPRODUCED, COPIED OR USED IN ANY MANNER WITHOUT THE PRIOR WRITTEN CONSENT OF ACCURATE INNOTECH INC.										