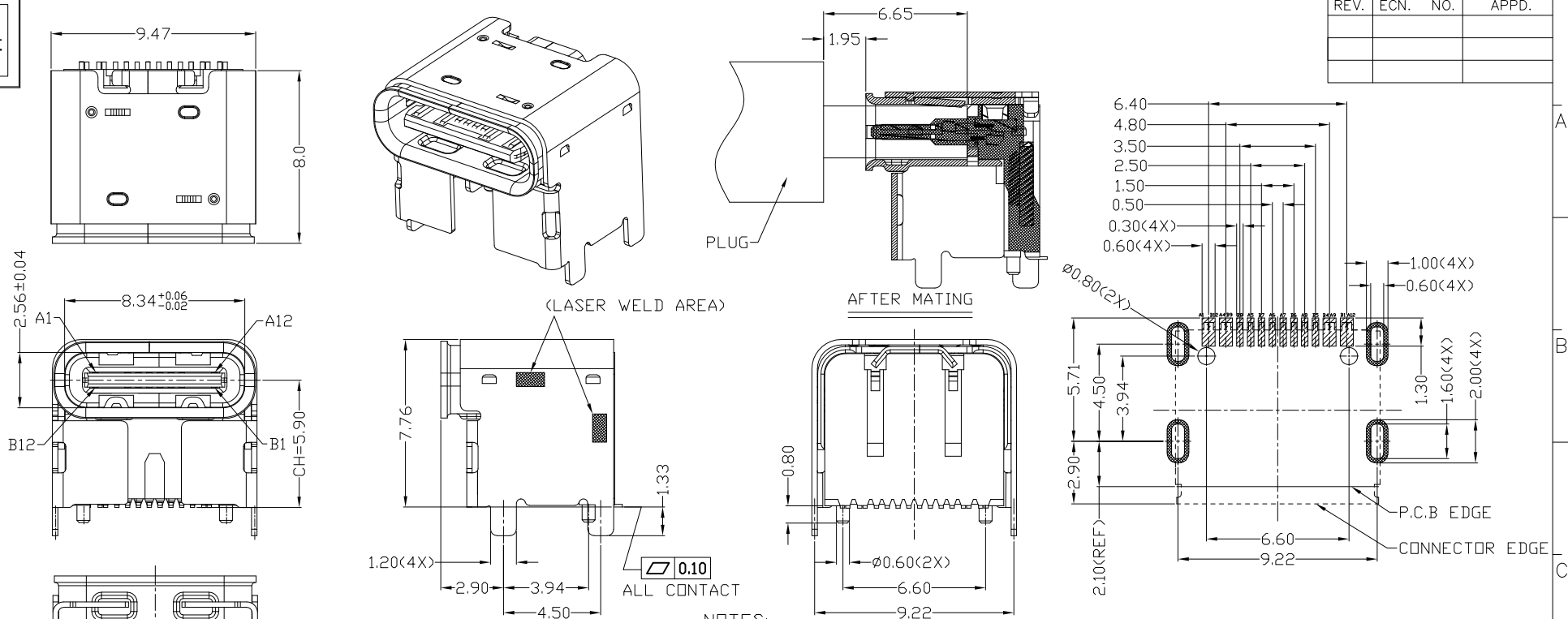




RoHS Compliant  
2002/95/EC

REV.	ECN.	NO.	APPD.



NOTES:  
1.ELECTRICAL:  
2.MECHANICAL:  
3.DIMENSIONS MARKED "▼"  
TO BE CHECKED BY Q.C & IPQC.

- 1)VOLTAGE CURRENT RATING: 5V DC/AC (RMS, MAX) 5 AMPS, FOR TOTAL VBUS/GND PINS; 1.25 AMPS FOR CC PIN, 0.25 AMPS, FOR ALL OTHER CONTACT.
- 2)INSULATION RESISTANCE: 100MΩ MIN.
- 3)CONTACT RESISTANCE:  
LLCR: VBUS & GND PINS AND OTHER PINS: 40mΩ/PIN MAX.  
SHIELD: 50mΩ/MAX.  
LLCR MAX. CHANGE OF ALL PINS: 10mΩ.
- 4)WITHSTANDING VOLTAGE: AC 100V FOR 1 MINUTE.
- 5)OPERATING TEMPERATURE: -25°C TO +85°C.

USB TYPE-C PIN ASSIGNMENTS

PIN NUMBER	SIGNAL NAME	PIN NUMBER	SIGNAL NAME
A1	GND	B12	GND
A4	Vbus	B9	Vbus
A5	CC1	B8	SBU2
A6	Dp1	B7	Dn2
A7	Dn1	B6	Dp2
A8	SBU1	B5	CC2
A9	Vbus	B4	Vbus
A12	GND	B1	GND

USCF-162N-3BVS205

- 1: Au 1U"
- 2: Au 3U"
- 5: Au 15U"
- 6: Au 30U"
- W: WHITE
- B: BLACK
- 1: PBT
- 2: PA6T
- 3: PA9T
- 4: LCP

Bill of materials:

NO	PARTS	MATERIAL	QTY	FINISHING	.X	±0.30	X.*	±10'	UNITS	mm
6					.X	±0.30	X.*	±10'	UNITS	mm
5	TOP SHELL	STAINLESS STEEL	1	PLATED NICKEL	.XX	±0.20	.X'	±8'	MAT'L	
4	FRONT SHELL	STAINLESS STEEL	1	PLATED NICKEL	.XXX	±0.10	.XX'	±5'	SEE NOTE	
3	MID	STAINLESS STEEL	1						FINISH	
2	TERMINAL	COPPER ALLOY	16	PLATED GOLD/NICKEL					SEE NOTE	
1	HOUSING	PA9T+30%GF	1	UL94V-0					Q'TY	
NO	PARTS	MATERIAL	QTY	FINISHING						

THESE DRAWINGS AND SPECIFICATIONS ARE THE PROPERTY OF ACCURATE INNOTECH INC AND SHALL NOT BE REPRODUCED, COPIED OR USED IN ANY MANNER WITHOUT THE PRIOR WRITTEN CONSENT OF ACCURATE INNOTECH INC.

雅安科技有限公司  
ACCURATE INNOTECH INC.

TITLE: USB C F SMT 16PIN单排 垫高4.3脚位4.5 CH=5.9

PART NO.: USCF-16XN-3BVS205

DR: Ricky 2023/03/02

DWG NO.: AII-VS205

CHKD: Ricky 2023/03/02

APPD:

SCALE: 1:1 SHEET: 1/1 REV: B CUSTOMER DRAWING