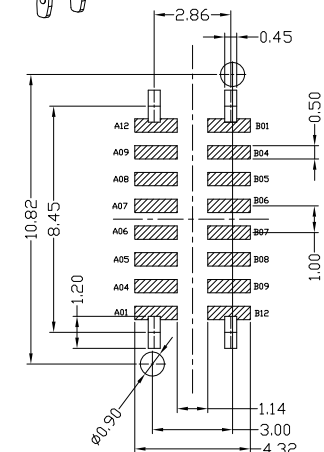
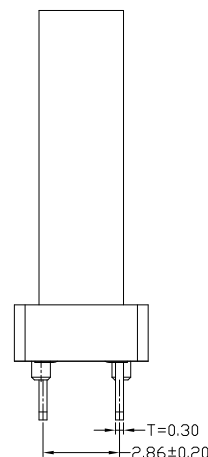
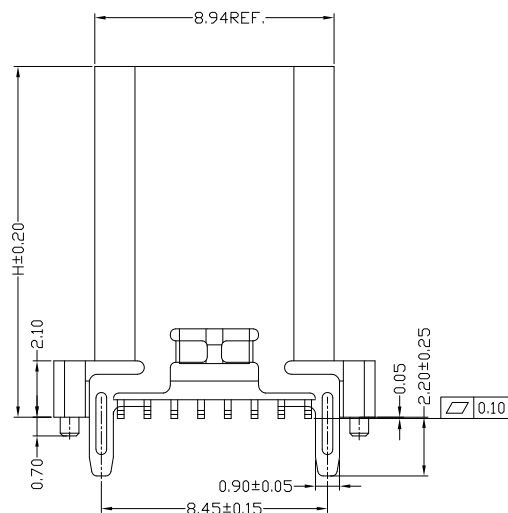
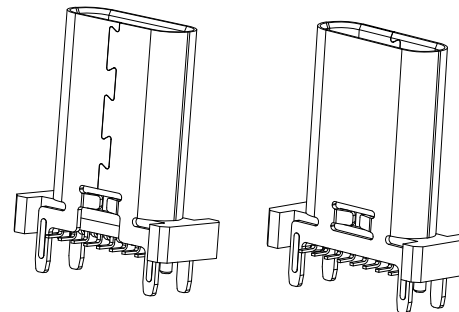
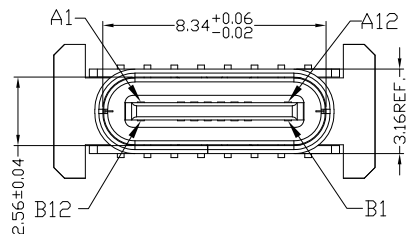




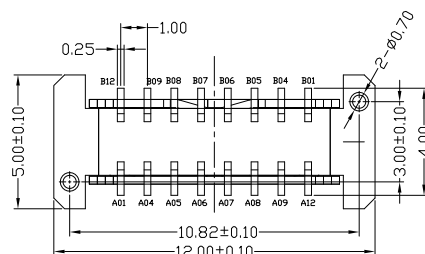
RoHS  
Compliant  
2002/95/EC

REV.	ECN. NO.	APPD.



RECOMMENDED P.C.B. LAYOUT (俯视图)  
TOLERANCE UNSPECIFIED ±0.05mm

USCF-162N-4BQG50	9.3
USCF-162N-4BQG51	10.0
USCF-162N-4BQG52	10.5
USCF-162N-4BQG53	12.4
USCF-162N-4BQG54	13.1
USCF-162N-4BQG55	13.7
USCF-162N-4BQG56	15.0
P/N:	H:mm



A1	GND	B12	GND
A4	VBUS	B9	VBUS
A5	CC1	B8	SBU2
A6	D+	B7	D-
A7	D-	B6	D+
A8	SBU1	B5	CC2
A9	VBUS	B4	VBUS
A12	GND	B1	GND
PIN	SIGNAL NAME	PIN	SIGNAL NAME

NOTES:

1.ELECTRICAL:

- 1)CURRENT RATING:5A.
- 2)INSULATION RESISTANCE: 100MΩ MIN. MEASURED BY 150 V DC
- 3)CONTACT RESISTANCE:40mΩ MAX.
- 4)WITHSTANDING VOLTAGE:150V AC / 1 mA MAX.
- 5)OPERATING TEMPERATURE:-40°C TO +85°C.

2.MECHANICAL:

- 1)MATING FORCE:5N~20N
- 2)UNMATING FORCE:8N~20N(INITIAL)  
6N~20N(AFTER 10,000 CYCLES)
- 3)DURABILITY:10,000 CYCLES

3.DIMENSIONS MARKED \*▼\* TO BE CHECKED BY Q.C & IPQC.

USCF-162N-4BQGX

- 1Au 1U'
- 2Au 3U'
- 5Au 15U'
- 6Au 30U'
- SEE CHART
- W:WHITE
- B:BLACK
- 1PBT
- 2PA6T
- 3PA9T
- 4LCP

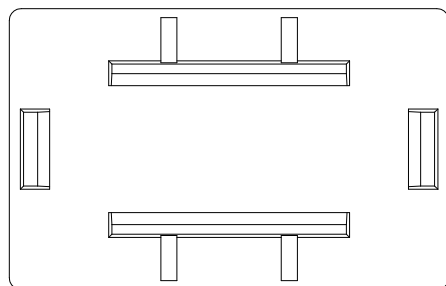
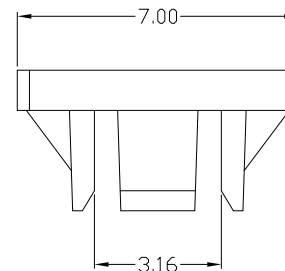
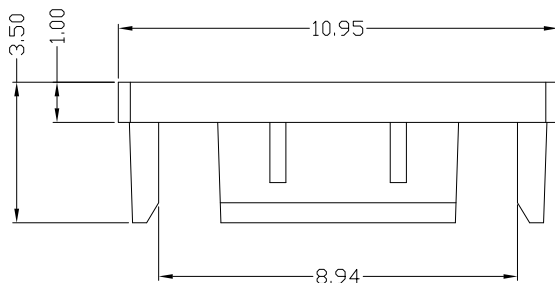
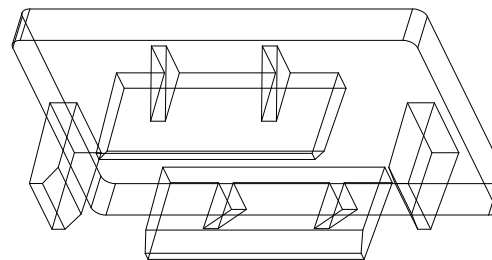
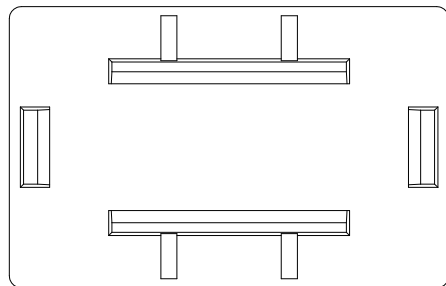
Bill of materials:

5					X.	±0.25	X.*	±1°	UNITS	mm	<p>雅安科技有限公司 ACCURATE INNOTECH INC.</p> <p>TITLE: USB TYPE CF 16P 立式贴板</p> <p>PART NO.: USCF-16XN-4BQG50~6</p> <p>DR: Ricky 2023/12/06</p> <p>DWG NO.: AII-QG50~6</p> <p>CHKD: Ricky 2023/12/06</p> <p>APPD:</p> <p>SCALE: 1:1</p> <p>SHEET: 1/1</p> <p>REV.: B</p> <p>CUSTOMER DRAWING</p>			
4	HOOK	STAINLESS STEEL	1		.X	±0.20	.X.*	±0.5°	MAT'L					
3	SHELL	STAINLESS STEEL	1	PLATED NICKEL	.XX	±0.15			SEE NOTE					
2	CONTACT	COPPER ALLOY	16	PLATED GOLD	.XXX	±0.10			SEE NOTE					
1	HOUSING	LCP+30%GF	1	UL94V-0										
NO	PARTS	MATERIAL	QTY	FINISHING							<p>THESE DRAWINGS AND SPECIFICATIONS ARE THE PROPERTY OF ACCURATE INNOTECH AND SHALL NOT BE REPRODUCED, COPIED OR USED IN ANY MANNER WITHOUT THE PRIOR WRITTEN CONSENT OF ACCURATE INNOTECH INC.</p>			



RoHS  
Compliant  
2002/95/EC

REV.	ECN.	NO.	APPD.

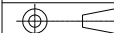


NOTES:  
1.外观不允许有压伤, 脏污, 模痕等不良现象  
2.非功能处毛边最大0.03MM.

Bill of materials:

NO	PARTS	MATERIAL	QTY	FINISHING	UNITS	MAT'L	TITLE:	PART NO.:
1	CAP	LCP+30%GF	1	UL94V-0	x. ±0.50	x.° ±2°	USB TYPE CF 14P& 16P立式 插板&贴板 CAP	USCF-1XXN-4BXG5XX-C1
					.X ±0.10	.X° ±1°	DR: <i>Ricky</i> 2021/07/14	DWG NO.: AII-XG5XX-C1
					.XX ±0.05		CHKD: <i>Ricky</i> 2021/07/14	SCALE SHEET REV. CUSTOMER 1:1 1/1 B DRAWING
					.XXX ±0.02		APPD:	

THESE DRAWINGS AND SPECIFICATIONS ARE THE PROPERTY OF ACCURATE INNOTECH INC AND SHALL NOT BE REPRODUCED, COPIED OR USED IN ANY MANNER WITHOUT THE PRIOR WRITTEN CONSENT OF ACCURATE INNOTECH INC



雅安科技有限公司  
ACCURATE INNOTECH INC.