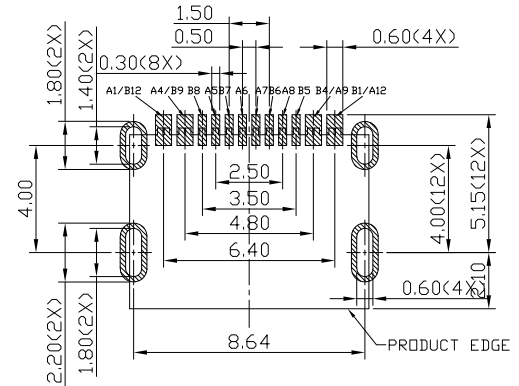
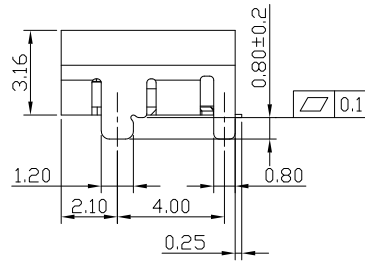
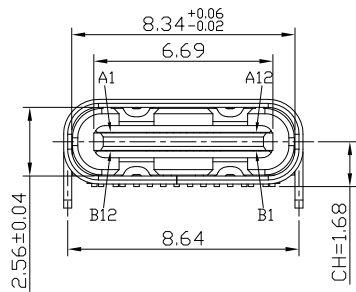
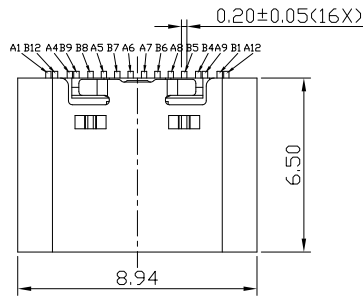




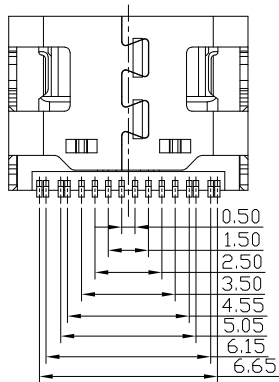
RoHS
Compliant
2002/95/EC

Halogen Free

REV.	ECN.	NO.	APPD.



RECOMMEND P.C.B LAYOUT (COMPONENT SIDE)
TOLERANCE FOR PCB LAYOUT IS ±0.05



USB TYPE C PIN ASSIGNMENTS

PIN NUMBER	SIGNAL NAME	PIN NUMBER	SIGNAL NAME
A1	GND	B12	GND
A4	VBUS	B9	VBUS
A5	CC1	B8	SUB2
A6	Dp1	B7	Dn2
A7	Dn1	B6	Dp2
A8	SBU1	B5	CC2
A9	VBUS	B4	VBUS
A12	GND	B1	GND

NOTES:

1.ELECTRICAL:

- 1)VOLTAGE CURRENT RATING: 5A, 5V.
- 2)INSULATION RESISTANCE: 100MΩ MIN;
- 3)CONTACT RESISTANCE: 40mΩ MAX;
- 4)WITHSTANDING VOLTAGE: 100V AC; FOR 1 MINUTE.
- 5)OPERATING TEMPERATURE:-30°C TO +80°C.

2.Mechanical:

- 1)Mating Force: 5N~20N
- 2)Unmating Force: 8N~20N
- 3)Durability: 10,000 cycles

3.DIMENSIONS MARKED "▼"

TO BE CHECKED BY Q.C & IPQC.

USCF-162N-4BV84

- 1:Au 1U"
2:Au 3U"
5:Au 15U"
6:Au 30U"
- W:WHITE
B:BLACK
- 1:PBT
2:PA6T
3:PA9T
4:LCP

Bill of materials:

NO	PARTS	MATERIAL	QTY	FINISHING															
5					X.X	±0.30	X*	±5*	UNITS	mm	雅安科技有限公司 ACCURATE INNOTECH INC. TITLE: USB TYPE CF 单排贴板16P L=6.5 PART NO.: USCF-16XN-4BV84 DR: Ricky 2021/09/28 DWG NO.: AII-V84 CHKD: Ricky 2021/09/28 APPD:								
4	MD HOUSING	LCP+30%GF	1	UL94V-0	X.XX	±0.20	X.X*	±2*	MAT'L	SEE NOTE						SCALE	SHEET	REV.	CUSTOMER
3	MID PLATE	STAINLESS STEEL	1		X.XXX	±0.10			FINISH	SEE NOTE						1:1	1/1	B	DRAWING
2	CONTACT	COPPER ALLOY	16	PLATED GOLD/NICKEL					Q'TY										
1	SHELL	STAINLESS STEEL	1	PLATED NICKEL	THESE DRAWINGS AND SPECIFICATIONS ARE THE PROPERTY OF ACCURATE INNOTECH AND SHALL NOT BE REPRODUCED, COPIED OR USED IN ANY MANNER WITHOUT THE PRIOR WRITTEN CONSENT OF ACCURATE INNOTECH INC.														