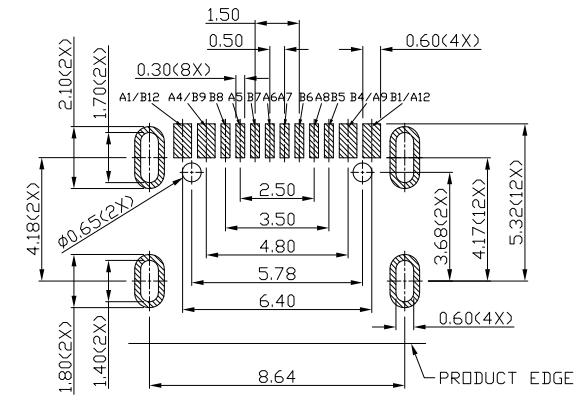
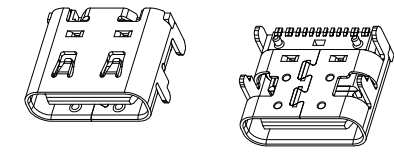
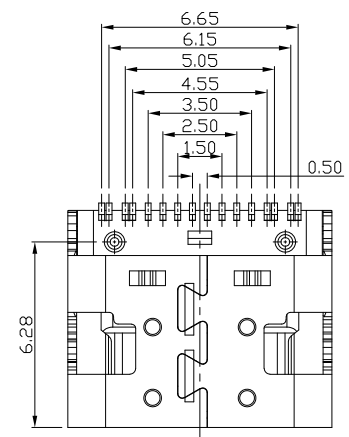
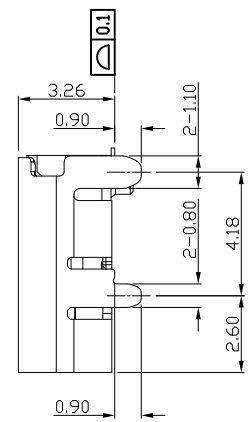
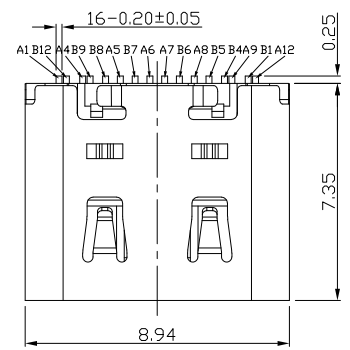




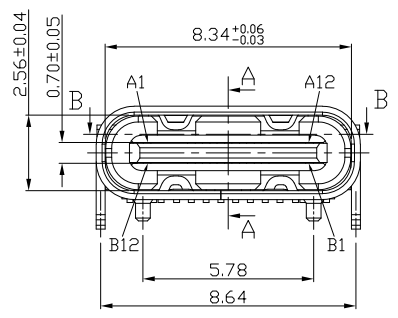
RoHS Compliant
2002/95/EC

Halogen Free

REV	LTR	DESCRIPTION	DATE	REVISER	APPD



RECOMMEND P.C.B LAYOUT (COMPONENT SIDE)
TOLERANCE FOR PCB LAYOUT IS ±0.05



USB TYPE C PIN ASSIGNMENTS

PIN NUMBER	SIGNAL NAME	PIN NUMBER	SIGNAL NAME
A1	GND	B12	GND
A4	VBUS	B9	VBUS
A5	CC1	B8	SUB2
A6	Dp1	B7	Dn2
A7	Dn1	B6	Dp2
A8	SBU1	B5	CC2
A9	VBUS	B4	VBUS
A12	GND	B1	GND

NOTES:

- ELECTRICAL:
 - VOLTAGE CURRENT RATING: 5AMP, 20V DC;
 - INSULATION RESISTANCE: 100MΩ MIN;
 - CONTACT RESISTANCE: 40mΩ MAX;
 - WITHSTANDING VOLTAGE: 100V AC; FOR 1 MIN.
 - OPERATING TEMPERATURE: -30°C TO +85°C.
- Mechanical:
 - Mating Force: 5N~20N
 - Unmating Force: 8N~20N
 - Durability: 10,000 cycles
- DIMENSIONS MARKED "▼"
TO BE CHECKED BY Q.C & IPQC.

4. PART NO.
USCF-162N-4BV89
- 1:Au 1U*
2:Au 3U*
5:Au 15U*
6:Au 30U*
- W:WHITE
B:BLACK
- 1:PBT
2:PA6T
3:PA9T
4:LCP

Bill of materials:

NO	PARTS	MATERIAL	QTY	FINISHING
5				
4	MD HOUSING	LCP+30%GF	1	UL94V-0
3	MID PLATE	STAINLESS STEEL	1	
2	CONTACT	COPPER ALLOY	16	PLATED GOLD/NICKEL
1	SHELL	STAINLESS STEEL	1	PLATED NICKEL

.X ±0.30	.X.* ±5°	UNITS mm	雅安科技有限公司	
			ACCURATE INNOTECH INC.	
.XX ±0.20	.X.* ±2°	MAT'L SEE NOTE	TITLE: USB TYPE CF 单排贴板 16P L=7.35	PART NO.: USCF-162N-4BV89
			四脚插板 有柱 外壳带弹片	
.XXX ±0.10		FINISH SEE NOTE	DR: Ricky 2020/06/17	DWG NO.: AII-V89
			CHKD: Ricky 2020/06/17	
Q'TY		APPD:	SCALE: 1/1	SHEET: 1/1
			REV: B	CUSTOMER DRAWING

THESE DRAWINGS AND SPECIFICATIONS ARE THE PROPERTY OF ACCURATE INNOTECH INC AND SHALL NOT BE REPRODUCED, COPIED OR USED IN ANY MANNER WITHOUT THE PRIOR WRITTEN CONSENT OF ACCURATE INNOTECH INC