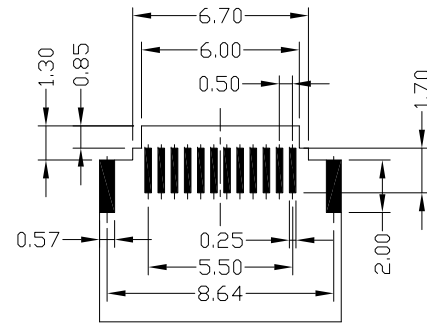
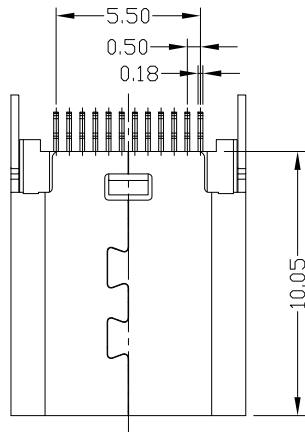
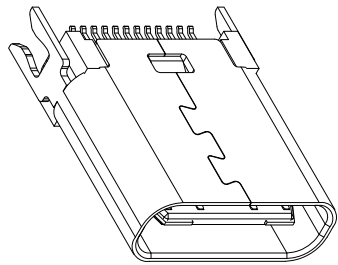


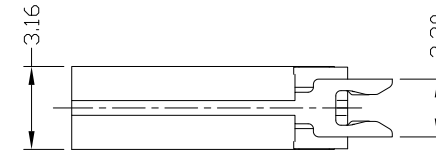
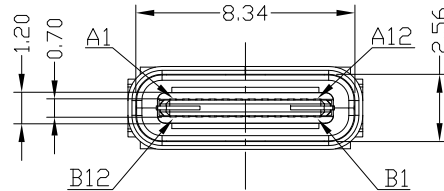
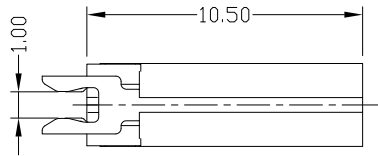


RoHS  
Compliant  
2002/95/EC

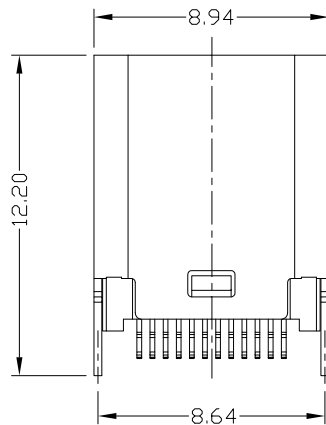
REV.	ECN.	NO.	APPD.



RECOMMENDED P.C.B. LAYOUT  
TOLERANCE UNSPECIFIED ±0.05mm  
正/反面 LAYOUT 一样  
板厚: T=1.00mm



A1	GND	B12	GND
A2	SSTXP1	B11	SSRXP1
A3	SSTXN1	B10	SSRXN1
A4	VBUS	B9	VBUS
A5	CC1	B8	SBU2
A6	DP1	B7	DN2
A7	DN1	B6	DP2
A8	SBU1	B5	CC2
A9	VBUS	B4	VBUS
A10	SSRXN2	B3	SSTXN2
A11	SSRXP2	B2	SSTXP2
A12	GND	B1	GND
PIN	SIGNAL NAME	PIN	SIGNAL NAME



NOTES:

- ELECTRICAL:
  - CURRENT RATING: 3.0 AMP;
  - INSULATION RESISTANCE: 100MΩ MIN;
  - CONTACT RESISTANCE: 40mΩ MAX;
  - WITHSTANDING VOLTAGE: 100V AC;
  - OPERATING TEMPERATURE: -30°C TO +80°C.
- Mechanical:
  - Mating Force: 20N MAX
  - Unmating Force: 8N MIN.
- DIMENSIONS MARKED "▼" TO BE CHECKED BY Q.C & IPQC.

4. PART NO.

USCF-24\*N-4BH63  
 1: WHITE  
 2: BLACK  
 1Au 1U\*  
 2Au 3U\*  
 5Au 15U\*  
 6Au 30U\*  
 1PBT  
 2PA6T  
 3PA9T  
 4LCP

Bill of materials:

5	SHRAPNEL	STAINLESS STEEL	1	
4	HOOK	STAINLESS STEEL	2	
3	SHELL	STAINLESS STEEL	1	PLATED NICKEL/TIN
2	TERMINAL	COPPER ALLOY	24	PLATED GOLD/TIN
1	HOUSING	LCP+30%GF	1	UL94V-0
NO	PARTS	MATERIAL	QTY	FINISHING

X. ±0.35	X.' ±2'	UNITS	雅安科技有限公司 ACCURATE INNOTECH INC.			
.X ±0.3	.X' ±1'	MAT'L	TITLE:		PART NO.:	
.XX ±0.25	.XX'	SEE NOTE	USB Type-C/F 180夹板1.0 长10.5		USCF-24*N-4BH63	
.XXX ±0.15	.XXX'	FINISH	DR: gan 2017/8/4		DWG NO.:	
THESE DRAWINGS AND SPECIFICATIONS ARE THE PROPERTY OF ACCURATE INNOTECH INC AND SHALL NOT BE REPRODUCED, COPIED OR USED IN ANY MANNER WITHOUT THE PRIOR WRITTEN CONSENT OF ACCURATE INNOTECH INC.		SEE NOTE	CHKD: gan 2017/8/4		A11-H63	
		Q'TY	APPD:		SCALE SHEET REV. CUSTOMER DRAWING	
					1:1 1/1 B	