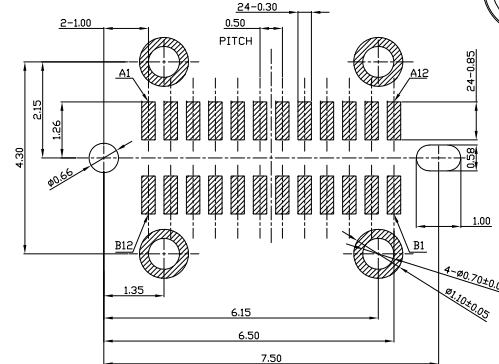
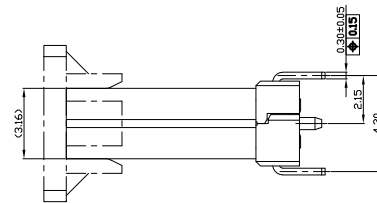
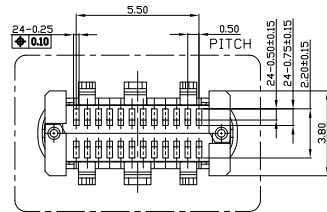
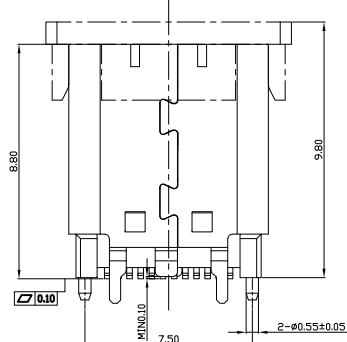
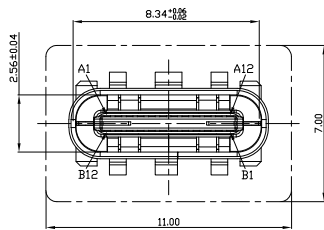
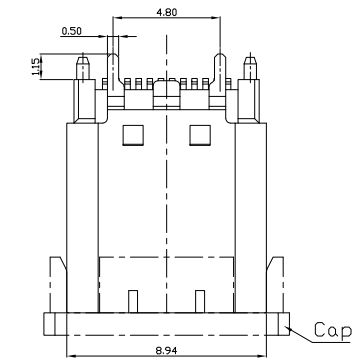


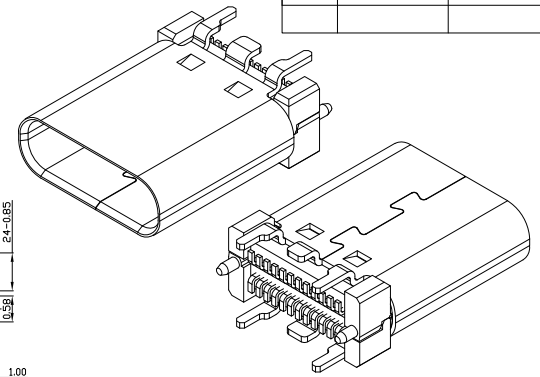


RoHS  
Compliant  
2002/95/EC

REV.	ECN. NO.	APPD.



RECOMMENDED P.C.B. LAYOUT (T:1.00mm)  
TOLERANCE UNSPECIFIED ±0.05mm  
SCALE: 2:1



USB TYPE-C FULL-FEATURED RECEPTACLE INTERFACE PIN ASSIGNMENTS

PIN	Signal Name	PIN	Signal Name
A1	GND	B12	GND
A2	SSTXp1	B11	SSRXp1
A3	SSTXn1	B10	SSRXn1
A4	VBUS	B9	VBUS
A5	CC1	B8	SBU2
A6	Dp1	B7	Dn2
A7	Dn1	B6	Dp2
A8	SBU1	B5	CC2
A9	VBUS	B4	VBUS
A10	SSRXn2	B3	SSTXn2
A11	SSRXp2	B2	SSTXp2
A12	GND	B1	GND

NOTES:

- ELECTRICAL CHARACTERISTICS:
  - CURRENT RATING: 5A FOR VBUS; 1.25A FOR GND PIN; 0.25A FOR OTHER PIN.
  - INSULATION RESISTANCE: 100MΩ Min
  - CONTACT RESISTANCE: 40mΩ Max.
  - WITHSTANDING VOLTAGE: 100V AC R.M.S.
  - OPERATING TEMPERATURE: -55°C ~ 85°C
- MECHANICAL CHARACTERISTICS:
  - MATING FORCE: 5N~20N
  - UNMATED FORCE: 8N~20N AFTER TEST
  - DURABILITY: 10,000 CYCLES
- DIMENSIONS MARKED "▼"  
TO BE CHECKED BY Q.C & IPQC.

USCF-241N-4BQF12

- 1:1Au 1U\*  
2:2Au 3U\*  
5:5Au 15U\*  
6:6Au 30U\*
- W:WHITE  
B:BLACK
- 1:PBT  
2:PA6T  
3:PA9T  
4:LCP

Bill of materials:

NO	PARTS	MATERIAL	QTY	FINISHING						
6	CAP	LCP+30%GF	1	UL94V-0	X.	±0.50	X.*	±3'	UNITS	mm
5	SHIELD SHELL	STAINLESS STEEL	1		.X	±0.35	.X*		MAT'L	
4	EMI SHELL	STAINLESS STEEL	1		.XX	±0.25	.XX*		SEE NOTE	
3	SHELL	STAINLESS STEEL	1	PLATED NICKEL	.XXX	±0.10	.XXX*		FINISH	
2	CONTACT	COPPER ALLOY	24	PLATED GOLD/TIN					SEE NOTE	
1	MOLDING	LCP+30%GF	1	UL94V-0					Q'TY	

THESE DRAWINGS AND SPECIFICATIONS ARE THE PROPERTY OF ACCURATE INNOTECH INC. AND SHALL NOT BE REPRODUCED, COPIED OR USED IN ANY MANNER WITHOUT THE PRIOR WRITTEN CONSENT OF ACCURATE INNOTECH INC.

雅安科技有限公司  
ACCURATE INNOTECH INC.

TITLE: USB 3.1 CF VERTICAL H=8.8 24PIN SMT TYPE

PART NO.: USCF-24XN-4BQF12

DR: Ricky 2020/03/26

DWG NO.: AII-QF12

CHKD: Ricky 2020/03/26

APPD:

SCALE: 1:1 SHEET: 1/1 REV.: B CUSTOMER DRAWING