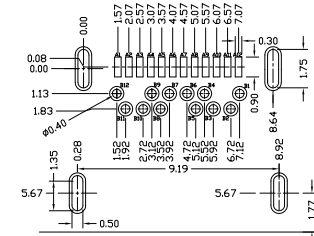
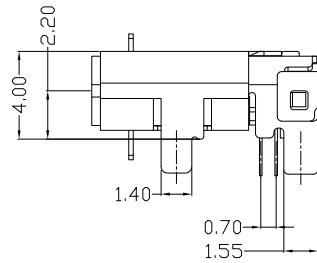
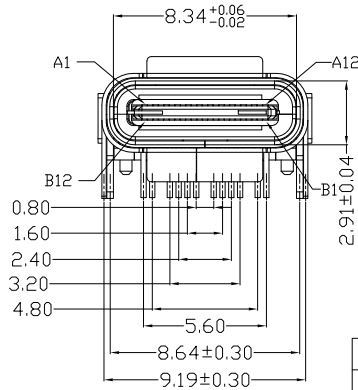
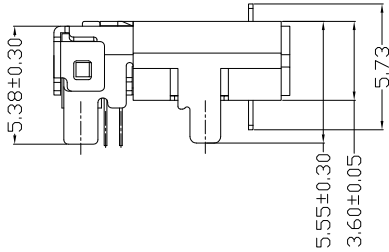
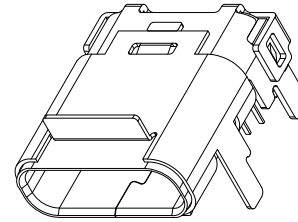
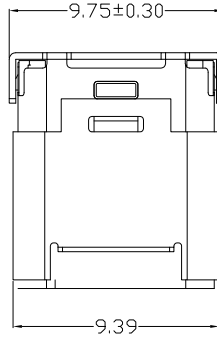


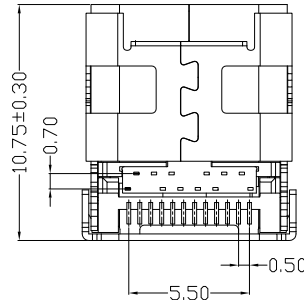


RoHS
Compliant
2002/95/EC
Process
Capable

REV.	ECN.	NO.	APPD.



RECOMMENDED P.C.B. LAYOUT (T:1.60mm)
TOLERANCE UNSPECIFIED ±0.05mm



A1	GND	B12	GND
A2	SSTXP1	B11	SSRXP1
A3	SSTXN1	B10	SSRXN1
A4	VBUS	B9	VBUS
A5	CC1	B8	SBU2
A6	DP1	B7	DN2
A7	DN1	B6	DP2
A8	SBU1	B5	CC2
A9	VBUS	B4	VBUS
A10	SSRXN2	B3	SSTXN2
A11	SSRXP2	B2	SSTXP2
A12	GND	B1	GND
PIN	SIGNAL NAME	PIN	SIGNAL NAME

NOTES:

- ELECTRICAL:
 - CURRENT RATING: 3AMP MAX;
 - INSULATION RESISTANCE: 100MΩ MIN 250V DC;
 - CONTACT RESISTANCE: 30mΩ MAX;
 - WITHSTANDING VOLTAGE: 100V AC;
 - OPERATING TEMPERATURE: -30°C TO +80°C.
- Mechanical:
 - Mating Force: 20N MAX.
 - Unmating Force: 8N MIN.
 - DURABILITY: 10,000 CYCLES.
- DIMENSIONS MARKED "▼"
TO BE CHECKED BY Q.C & IPQC.

4.PART NO.

USCF-24*N-4BV606

W:WHITE
B:BLACK

1:Au 1U*
2:Au 3U*
5:Au 15u*
6:Au 30U*

1:PBT
2:PA6T
3:PA9T
4:LCP

5	HOOK	STAINLESS STEEL	1		.X ±0.30	.X' ±1'	UNITS	mm
4	SHRAPNEL	STAINLESS STEEL	1		.XX ±0.20	.XX'	MAT'L	
3	SHELL	STAINLESS STEEL	1	PLATED NICKEL	.XXX ±0.10	.XXX'	SEE NOTE	
2	TERMINAL	COPPER ALLOY	24	PLATED GOLD			FINISH	
1	HOUSING	LCP+30%GF	1	UL94V-0			SEE NOTE	
NO	PARTS	MATERIAL	QTY	FINISHING			Q'TY	

THESE DRAWINGS AND SPECIFICATIONS ARE THE PROPERTY OF ACCURATE INNOTECH INC AND SHALL NOT BE REPRODUCED, COPIED OR USED IN ANY MANNER WITHOUT THE PRIOR WRITTEN CONSENT OF ACCURATE INNOTECH INC

雅安科技有限公司 ACCURATE INNOTECH INC.			
TITLE: USB TYPE CF 前插后贴 板上中心2.2 有缺口		PART NO.: USCF-24XN-4BV606	
DR: Ricky 2019/10/24		DWG NO.: AII-V606	
CHKD: Ricky 2019/10/24		SCALE	SHEET
APPD:		1:1	1/1
		REV.	CUSTOMER DRAWING
		B	