

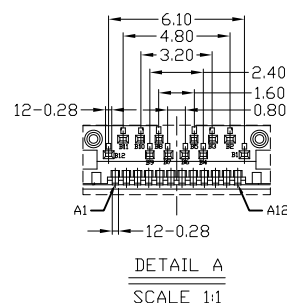
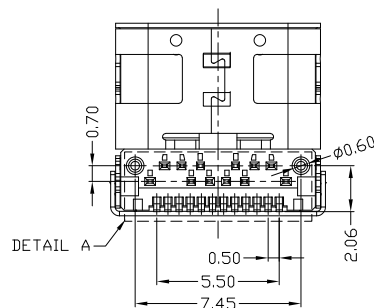
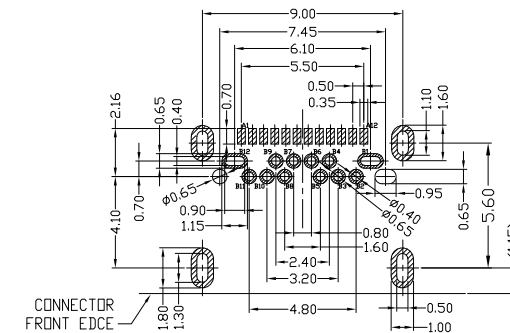
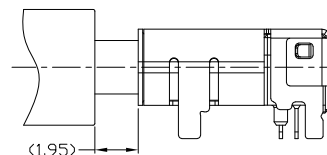
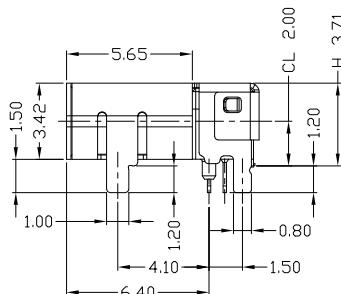
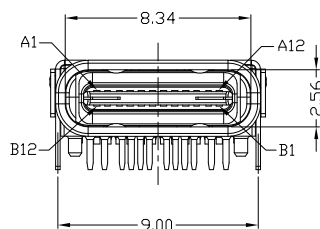
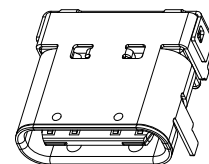
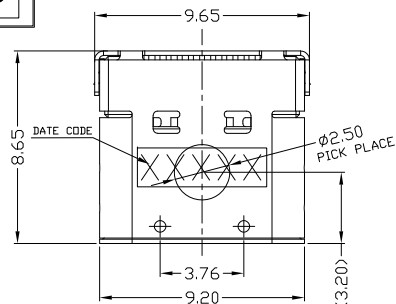


RoHS
Compliant
2002/95/EC

Halogen Free

REV.	ECN.	NO.	APPD.

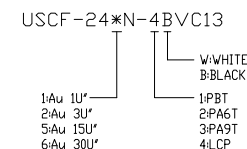
Pin	Signal Name	Mating Sequence	Pin	Signal Name	Mating Sequence
A1	GND	First	B12	GND	First
A2	SSTXp1	Second	B11	SSRXp1	Second
A3	SSTXn1	Second	B10	SSRXn1	Second
A4	V _{BUS}	First	B9	V _{BUS}	First
A5	CC1	Second	B8	SBU2	Second
A6	Dp1	Second	B7	Dn2	Second
A7	Dn1	Second	B6	Dp2	Second
A8	SBU1	Second	B5	CC2	Second
A9	V _{BUS}	First	B4	V _{BUS}	First
A10	SSRXn2	Second	B3	SSTXn2	Second
A11	SSRXp2	Second	B2	SSTXp2	Second
A12	GND	First	B1	GND	First
SHELL	GND		SHELL	GND	



NOTES:

- ELECTRICAL:
 - CURRENT RATING: 5AMP FOR V_{BUS} PIN; 1.25A FOR V_{CONN} PIN.
 - INSULATION RESISTANCE: 100MΩMIN;
 - CONTACT RESISTANCE: 40mΩMAX;
 - WITHSTANDING VOLTAGE: 100V AC;
 - OPERATING TEMPERATURE: -40°C TO +85°C.
- Mechanical:
 - Mating Force: 5~20N.
 - Unmating Force: 8~20N AFTER TEST
- DIMENSIONS MARKED "▼" TO BE CHECKED BY Q.C & IPQC.

4. PART NO.



Bill of materials:

NO	PARTS	MATERIAL	QTY	FINISHING	X. ±0.35	X.' ±2'	UNITS	mm	雅安科技有限公司 ACCURATE INNOTECH INC.						
5	SHRAPNEL	STAINLESS STEEL	1	PLATED NICKEL	.X ±0.3	.X' ±1'	MAT'L	SEE NOTE	TITLE:	PART NO.:					
4	HOOK	STAINLESS STEEL	2	PLATED NICKEL	.XX ±0.25	.XX'	SEE NOTE	SEE NOTE	USB 3.1 C TYPE Female CL2.00 H3.71mm L8.65mm DIP TYPE	USCF-24*N-4BVC13					
3	SHELL	STAINLESS STEEL	1	PLATED NICKEL	.XXX ±0.15	.XXX'	FINISH	SEE NOTE	DR:	gan 2015/11/25		DWG NO.:	AII-VC13		
2	TERMINAL	COPPER ALLOY	24	PLATED GOLD/TIN	THESE DRAWINGS AND SPECIFICATIONS ARE THE PROPERTY OF ACCURATE INNOTECH INC. AND SHALL NOT BE REPRODUCED, COPIED OR USED IN ANY MANNER WITHOUT THE PRIOR WRITTEN CONSENT OF ACCURATE INNOTECH INC.			Q'TY	CHKD:	gan 2015/11/25		SCALE	SHEET	REV.	CUSTOMER
1	HOUSING	LCP+30%GF	1	UL94V-0					APPD:			1:1	1/1	B	DRAWING