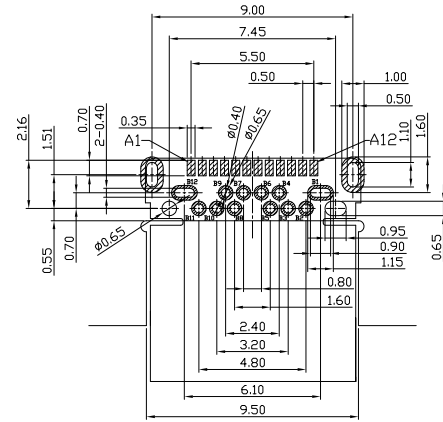
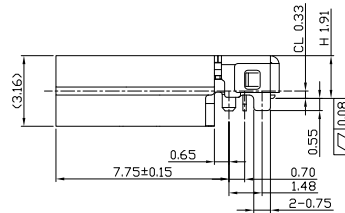
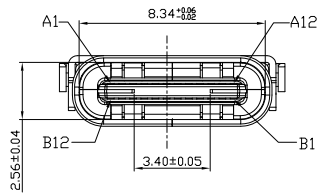
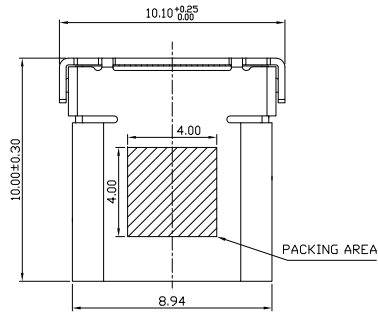


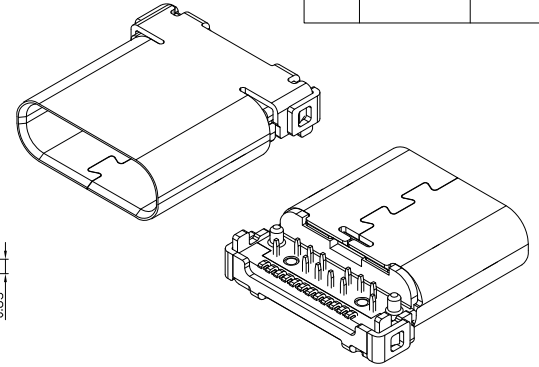


RoHS Compliant  
2002/95/EC

REV.	ECN.	NO.	APPD.

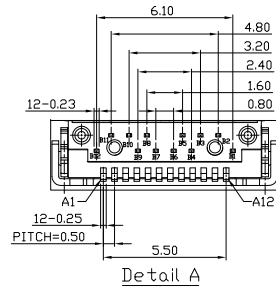
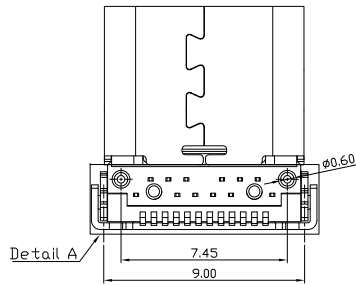


RECOMMEND P.C.B LAYOUT (COMPONENT SIDE)  
TOLERANCE FOR PCB LAYOUT IS ± 0.05  
KEEP OUT AREA



USB TYPE-C FULL-FEATURED RECEPTACLE INTERFACE PIN ASSIGNMENTS

PIN	Signal Name	PIN	Signal Name
A1	GND	B12	GND
A2	SSTXp1	B11	SSRXp1
A3	SSTXn1	B10	SSRXn1
A4	VBUS	B9	VBUS
A5	CC1	B8	SBU2
A6	Dp1	B7	Dn2
A7	Dn1	B6	Dp2
A8	SBU1	B5	CC2
A9	VBUS	B4	VBUS
A10	SSRXn2	B3	SSTXn2
A11	SSRXp2	B2	SSTXp2
A12	GND	B1	GND



NOTES:

- ELECTRICAL CHARACTERISTICS:
  - CURRENT RATING: 5A FOR VBUS; 1.25A FOR GND PIN; 0.25A FOR OTHER PIN.
  - INSULATION RESISTANCE: 100MΩ Min
  - CONTACT RESISTANCE: 40mΩ Max.
  - WITHSTANDING VOLTAGE: 100V AC R.M.S.
  - OPERATING TEMPERATURE: -55°C ~ 85°C
- MECHANICAL CHARACTERISTICS:
  - MATING FORCE: 5N~20N
  - UNMATED FORCE: 8N~20N AFTER TEST
  - DURABILITY: 10,000 CYCLES
- DIMENSIONS MARKED "▼"  
TO BE CHECKED BY Q.C & IPQC.

USCF-241N-4BVF102

W:WHITE  
B:BLACK

1Au 1U\*  
2Au 3U\*  
5Au 15U\*  
6Au 30U\*

1PBT  
2PA6T  
3PA9T  
4LCP

Bill of materials:

NO	PARTS	MATERIAL	QTY	FINISHING	X.	±0.50	X.*	±3*	UNITS	mm	雅安科技有限公司 ACCURATE INNOTECH INC.					
4	SHIELD	STAINLESS STEEL	1		.X	±0.35	.X*		MAT'L		TITLE:	PART NO.:				
3	SHELL	STAINLESS STEEL	1	PLATED NICKEL	.XX	±0.25	.XX*		SEE NOTE		USB 3.1 CF 沉板 CL0.32 H1.91mm L10.00mm DIP焊脚长度0.55mm 无铁壳脚	USCF-24XN-4BVF102				
2	CONTACT	COPPER ALLOY	24	PLATED GOLD/TIN	.XXX	±0.10	.XXX*		FINISH		DR:	Ricky 2020/03/26	DWG NO.:			
1	MOLDING	LCP+30%GF	1	UL94V-0					SEE NOTE		CHKD:	Ricky 2020/03/26	AII-VF102			
									Q'TY		APPD:		SCALE	SHEET	REV.	CUSTOMER
													1:1	1/1	B	DRAWING

THESE DRAWINGS AND SPECIFICATIONS ARE THE PROPERTY OF ACCURATE INNOTECH INC AND SHALL NOT BE REPRODUCED, COPIED OR USED IN ANY MANNER WITHOUT THE PRIOR WRITTEN CONSENT OF ACCURATE INNOTECH INC.

